

# WINDSIDE WS-0,30B-29N dimensions and technical info

## Windside WS-0,30B-29N technical info:

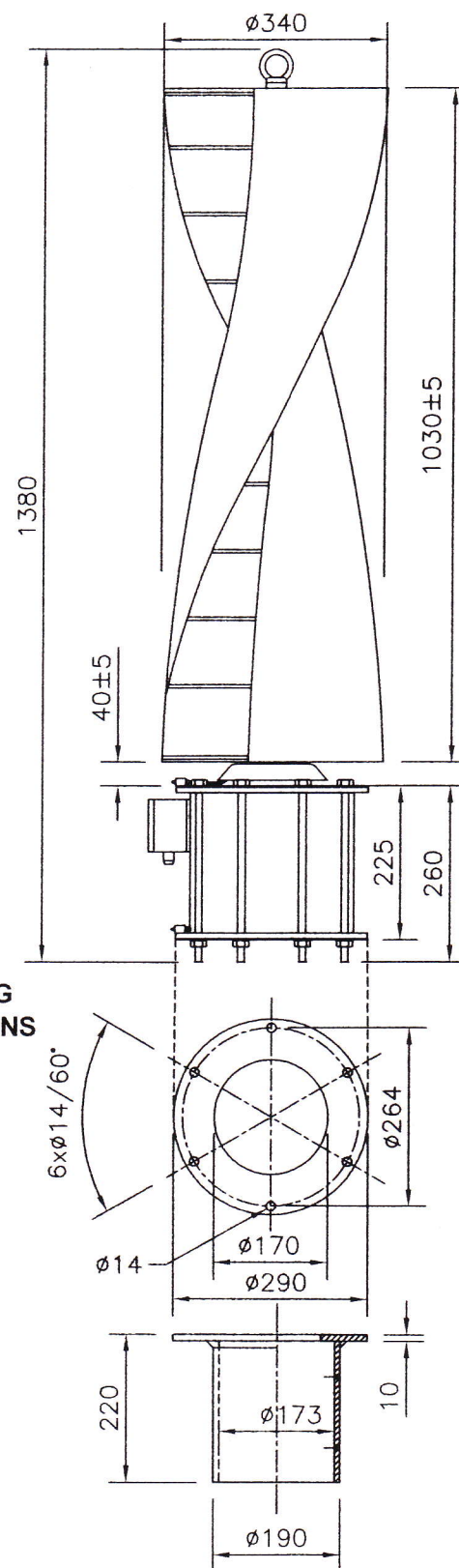
- Weight: 47 kg
- Swept area: 0,30 m<sup>2</sup>
- Generator: 16A in delta, 9A in star connection
- Voltage: 12V battery charging mode 15V  
24V battery charging mode 30V
- Fastening of the turbine with 6 pc of M12 bolts
- Wind load, side force to the middle point of the vane,  
Calculated 0,50 m up from the generator: 100 kg
- The weight of the base depends on  
the height of the mast- in other words  
on the length of the torque arm.
- WS-0,30B-29N-model Max 2000 rpm
- WS-0,30B-29N Guaranteed at constant  
wind speed of 40 m/s

## Materials:

- Vanes: fibre glass
- Fastenings: aluminium
- Shaft: Ø30 mm chrome coated steel
- Generator and Generator End Plates: dip galvanized steel  
or marine grade aluminium
- All bolts stainless steel or dip galvanized (A4, A2 or Zn)

## Assets of Windside wind turbines:

- No need to stop or secure during storms
- Produces max. amount of energy in storms
- No need to be turned to the wind direction
- Soundless; 0 dB, measured in 2 meters distance  
from the vane
- Stands snow, frost, heat and humidity
- Long lifespan
- Minimum need of maintenance, only lubrication
- Safe to people, animals and nature



# windside

OY WINDSIDE PRODUCTION Ltd

E-mail and internet:  
finland@windside.com  
www.windside.com

Tel.: +358-208-350 700  
Fax: +358-208-350 701  
Mobile: +358-400-315 037

The Manufacturer reserves  
all rights to all modifications  
without further notice.