



Local Renewable Power Worldwide

Powerful  
Quiet  
Lightweight

## LE-600

Generates **high power output**  
in all wind conditions



Designed &  
manufactured  
in the UK

residential & industrial off-grid

# LE-600 Features



## LE-600

Generates **high power output** in all wind conditions

### Features:

#### Powerful

160W at 8m/s (17.8mph), 750W max

#### Quiet

Ideal for acoustically sensitive locations

#### Lightweight turbine head

At 19.5Kg, the turbine is easy to install on high masts, reducing the cost of mounting structures

#### Whisper™ blades

Low acoustic emissions from the advanced aerofoil blade design

#### Robust design

Stainless steel and aluminium alloy with sealed for life bearings

## Precision engineered to be robust and maintenance free

**The LE-600 is a downwind turbine that is light and robust yet delivers fantastic power output in all wind conditions.**

The LE-600 is designed around a unique low inertia axial flux generator which utilises Neodymium rare earth magnetic materials. This alternator has zero 'cogging' which, together with its highly efficient and low 'TSR' Whisper blades, allow the turbine to generate power at very low wind speeds and deliver a higher output than the competition in high wind speeds.

The LE-600 survives destructive high winds by means of a passive aerodynamic design that limits turbine RPM and power output at a certain threshold. The downwind design reduces the size and weight of the turbine, whilst ensuring that there is no tail boom to amplify natural vibrations and eventually fail. The integrated yaw slip-rings and unique 'X-wing' chassis allow the turbine to track the wind direction perfectly.

# LE-600 Technical Overview

**Rotor diameter** - 1.54 metres

**Rotor type** - 3-Blade downwind

**Blade material** - Glass reinforced nylon

**Rated output** - 160W at 8m/s (17.8mph)

**Peak output** - 750W

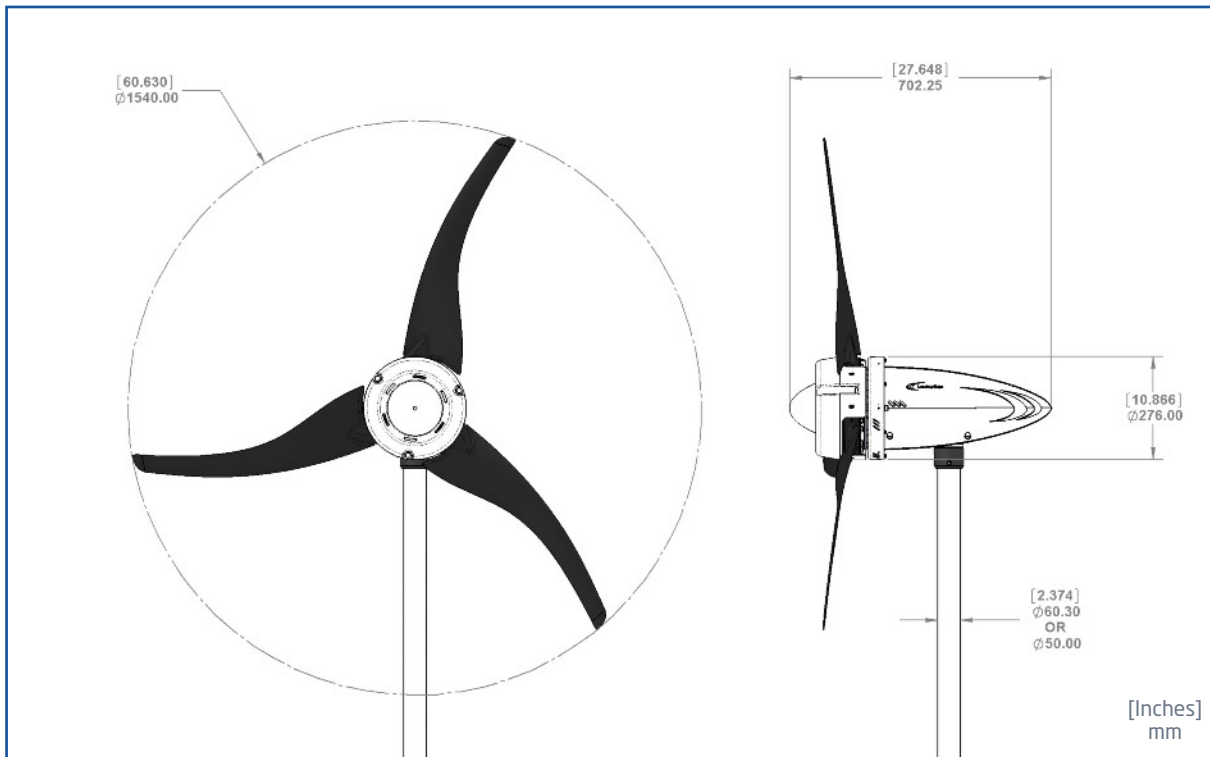
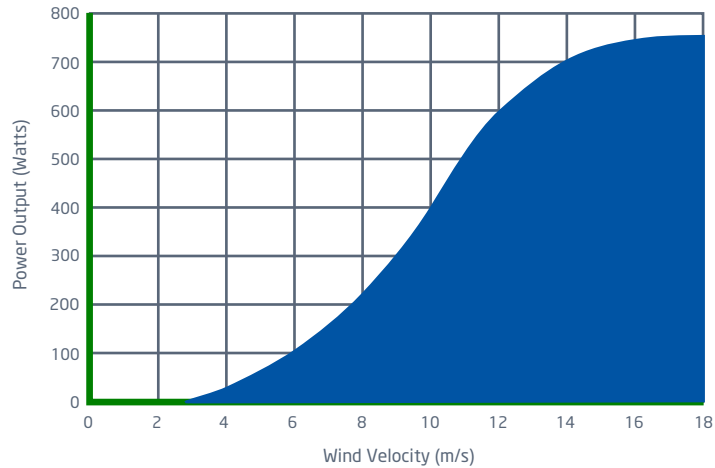
**Cut-in speed** - 3m/s (6.7mph)

**Weight** - 19.5Kg

**Generator type** - 3-Phase brushless NIB rotor PMA

**DC output voltage** - 12V, 24V or 48V

**Warranty** - 2 years



The LE-600 has a design life of 20 years, but due to its modular design and ease of maintenance, the turbine could easily run indefinitely.

In a typical stand alone system, the turbine sits on a tower or mounting kit and is connected to a battery via a run/stop switch that allows the turbine to be safely braked and electrically isolated from the circuit. A diversion charge controller is used to divert excess power to a dump load when your batteries are full. The LE-600 can be combined with Solar PV panels in 'power hungry' off-grid renewable energy systems.



# LE-600 Applications



- Off-grid
- Domestic power
- Battery charging
- Remote telemetry
- Environmental monitoring
- Telecommunications

Wind turbine performance is subject to many factors. All output data contained in this document is indicative and actual turbine outputs will depend on the prevailing site and installation conditions.

Your local distributor

The LE-600 is a downwind horizontal axis turbine that is light and robust yet delivers fantastic power output in all conditions. It is designed for 'power hungry' off-grid industrial applications.



Leading Edge Turbines  
Skyrrid Farm | Pontrilas  
Herefordshire | HR2 0BW

Call 0845 652 0396 | Email [info@leturbines.com](mailto:info@leturbines.com)

Copyright © 2013 Leading Edge Turbines