



6400xi
7600xi

KACO blueplanet 00xi series transformerless grid-tied inverters

Performance

High efficiency: 96.5% CEC efficiency on all 00xi series inverters ensures lowest energy losses
 High efficiency at low power: KACO transformerless inverters are 94% efficient at 10% output power
 Designed for max. ROI: Newest generation IGBTs and advanced MPPT algorithms

Ease of installation

easyINSTALL T-bracket: Minimizes mounting process to approximately 15 minutes
 Lockable DC disconnect: Save up to \$100 with the pre-wired & separable integrated disconnect
 Multiple knock-outs: Knock-outs on bottom, sides and back offer great installation flexibility
 Connection box: Avoid costly channel raceways by directly connecting multiple inverters
 Reduced weight: KACO inverters are up to 50% lighter than comparably sized inverters
 Reduced side clearance: No fan cooling outlets on the sides
 Field selectable voltages: Use the same inverter in 208V, 220V or 240V grid settings
 Four fused DC inputs: The inverter doubles as a code compliant string combiner

Reliability

History: KACO has been manufacturing power electronics for more than 60 years
 Experience: More than 3 GW of inverters worth more than \$1 billion installed worldwide
 Split architecture design: Power electronics are protected in a separate chamber
 Sealed outdoor enclosure: Protects power electronics from dust, humidity, insects and ocean air
 DC reverse polarity protection: Avoids potential damage to inverter caused by mis-wiring during installation
 Redundant power capacitors: Increases the lifetime of your inverter
 Convection cooling: Natural convection cooling minimizes use of the assist fan

Monitoring

KACO proLOG:

Monitor up to 32 inverters as well as multiple sensors.

KACO watchDOG:

Integrated monitoring card decreases costs and increases reliability to give you the most innovative monitoring solution.

easyLINK data interface:

Integrated RS485 comm card saves over \$200 compared to some competitors.

Integrated night switch:

Activates inverter display even after the PV system has shut down.

SymBus monitoring interface:

Monitors and controls phase imbalance on 3-phase systems.

blueplanet web:

Free monitoring option for residential systems up to 10kW.*

*Available for all system sizes for additional cost.

Warranty

KACO easySWAP policy:

Benefit from KACO's no hassle inverter exchange policy.

Reimbursement policy:

KACO's \$150 service reimbursement is among the most generous in the industry.

KACO guarantee:

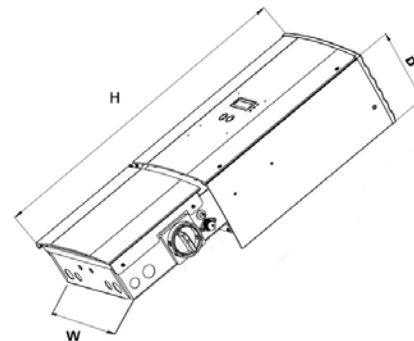
00xi series inverter repairs after warranty will never be higher than \$600.

10 years standard warranty:

Warranties are only as valuable as the strength and longevity of the manufacturer and KACO is one of the few established inverter companies older than the warranties they offer.

Model number	blueplanet 6400xi		blueplanet 7600xi
Input data (DC)			
DC operating range	240 V	320 – 550 V _{dc}	320 – 550 V _{dc}
	208 V	290 – 550 V _{dc}	290 – 550 V _{dc}
Max. DC input voltage	600* V _{dc}		600* V _{dc}
Nominal DC input current	21 A _{dc}		24 A _{dc}
Max. DC input I _{sc} current	36 A _{dc}		36 A _{dc}
Output data (AC)			
Max. continuous output power (CEC)	6400 W		7600 W
Max. over-current protection	50 A		50 A
Max. continuous current	240 V	27 A _{ac}	32 A _{ac}
	208 V	31 A _{ac}	37 A _{ac}
	220 V	30 A _{ac}	35 A _{ac}
AC operating range	240 V	211 – 264 V	
	208 V	184 – 226 V	
	220 V	198 – 242 V (for Mexico)	
Frequency	60 Hz (59.3 – 60.5 Hz)		
Maximum efficiency	240 V	97.2%	97.1%
	208 V	96.9%	97.0%
CEC rated efficiency	96.5%		96.5%
Additional data			
DC disconnect ratings	600 V, 4 x 16 A		
Cooling	True convection - ultimate reliability, with assist fan		
DC reverse polarity protection	Yes		
Ground fault protection	Integrated residual current detector		
Grounding	Ungrounded, transformerless inverter		
Visual displays	Backlit LCD w/ convenient night switch & push button controls		
Included accessory interfaces	easyLINK RS485 & SymBus (Ethernet optional)		
Ambient temp @ max AC power	-4°F – +104°F		(-20°C – + 40°C)
Ambient operating temp	-4°F – +140°F		(-20°C – + 60°C)
Thermal protection	Yes		
Noise emissions	< 45 dB (near silent operation)		
Night power consumption	208V: 0.26W, 240V: 0.36W		
Warranty	Standard easySWAP 10 years		
Certifications			
Safety compliance	UL 1741, IEEE 1547, NEC, CSA 22.2 No.107.1-01		
Communications compliance	FCC Part 15 Class A and B		

* - Unit will only feed power if the PV voltage is less than 550Vdc.



Mechanical Specifications

Model	Height (H)	Width (W)	Depth (D)	Weight
7600xi	44 1/8 in. (1121 mm)	14 in. (356 mm)	8 7/8 in. (226 mm)	95 lbs (43 kg)
6400xi	44 1/8 in. (1121 mm)	14 in. (356 mm)	8 7/8 in. (226 mm)	95 lbs (43 kg)
Enclosure	NEMA 3R			