

# SUNNY ISLAND 6.0H / 8.0H FOR OFF-GRID APPLICATIONS



SI6.0H-11 / SI8.0H-11



## Easy to use

- OptiUse: fast installation and commissioning, simplified operation
- OptiBat: state of charge calculation keeps you informed at all times

## Robust

- IP 54: optimal protection from dust and humidity
- OptiCool: greater temperature range
- OptiPower: secure operation in any situation

## Flexible

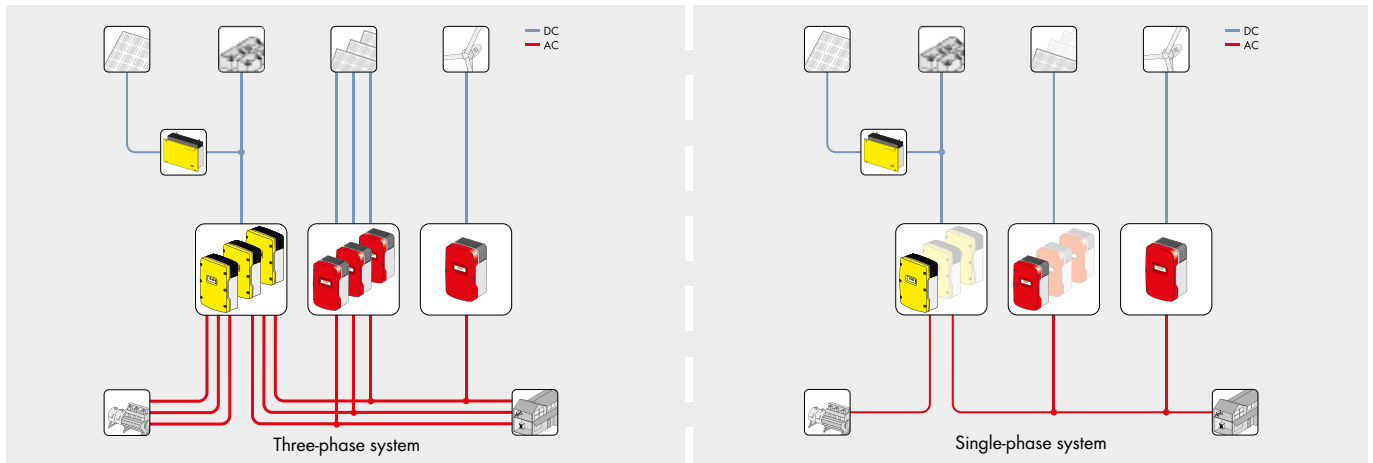
- For systems from 3 to 300 kW
- Precise design
- Supports Multicluster Technology

## SUNNY ISLAND 6.0H / 8.0H

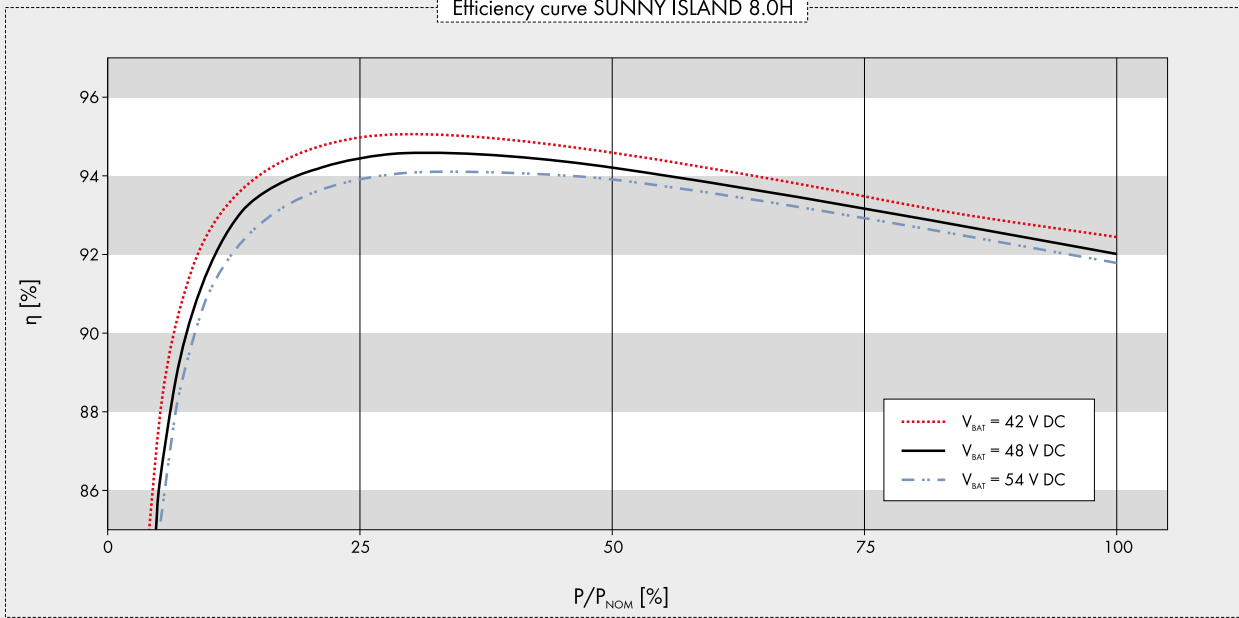
Simple. Robust. Flexible.

More durable than its predecessors: The new Sunny Island impresses with its high protection class and wide temperature range. Moisture, dust and temperature fluctuations won't impair its operation, even after 20 years. Thanks to OptiCool, there's no need to compromise when it comes to overload capacity and economic viability. And there's more: OptiPower, the intelligent load and energy management system, ensures operation even in critical situations. OptiUse makes installation, commissioning and daily use easier than ever with automatic rotary field detection, an optimized quick configuration guide and intuitive operation. And the intelligent OptiBat battery management system automatically controls the most important charging and discharging procedures, which extends the service life of sensitive energy storage. Sunny Island is a truly comprehensive package for a worry-free, reliable and self-sufficient electricity supply.

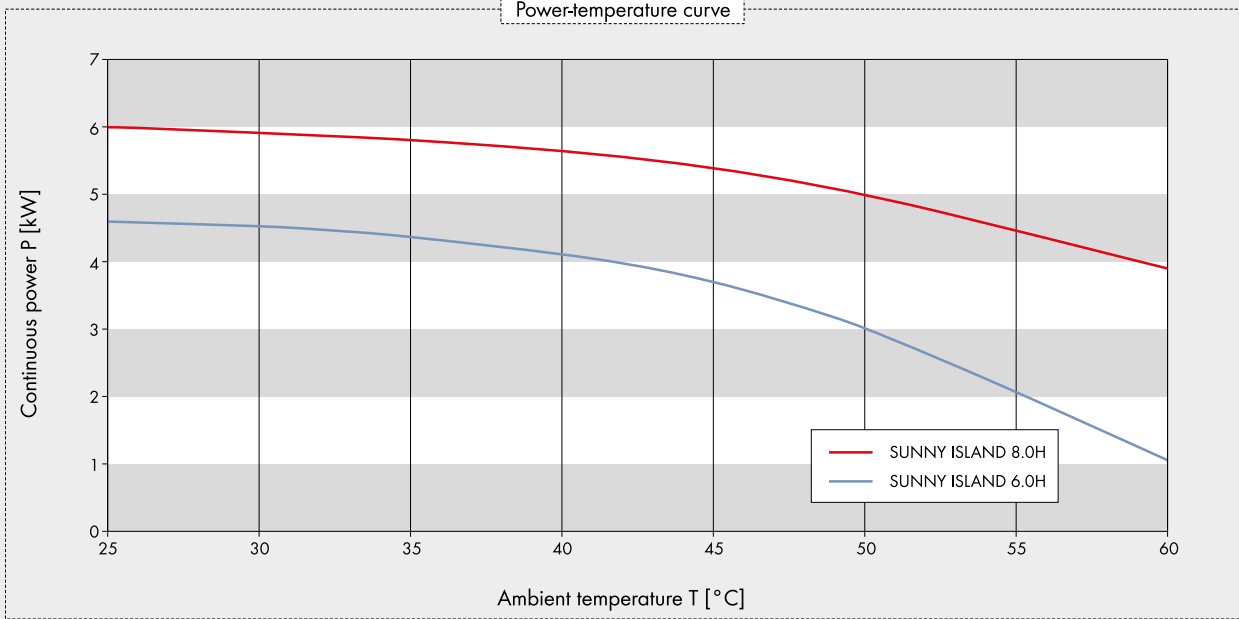
# SUNNY ISLAND 6.0H / 8.0H



Efficiency curve SUNNY ISLAND 8.0H



Power-temperature curve





# SMA OFF-GRID CONFIGURATOR

Design and simulation program for off-grid systems

