

MODEL: COMMANDER 280
TYPE: ELECTRIC POWERED TRUCK
MODEL YEAR: 2010
Part No.: 76240



PRODUCT SPECIFICATION

CONFIGURATION HIGHLIGHTS

- Battery Charger:** PowerWise™ 36QE high frequency, fully line compensating. 10 ft (3 m) DC Cord. Underwriters Lab. (U.L.) Listed, (C.S.A. Certified)
- Input: 110 – 120 Volt, 50/60 Hz, 8 amp
 - Output: 36 Volt at 16 amps. DC
- Motor:** 36 Volt DC series wound, brazed armature, solid copper windings
- Drive Train:** Direct motor shaft connected to transaxle pinion shaft
- Electrical System:** 36 Volt DC, six, 6 volt deep cycle batteries (115 minute minimum, 225 amp-hour @ 20 hr. discharge rate)
- Transaxle:** Differential with helical gears
- Brakes:** Dual rear wheel mechanical self-adjusting drum brakes. Automatic single point park brake release with self-compensating system
- Cargo Bed:** Roto-molded cross-linked polyethylene. Lifts for access to powertrain. Removable hinged multi-position tailgate requires no latch mechanism

PRODUCT OVERVIEW

Dimensions

Overall Length	103.0 in (262 cm)
Overall Width	46.5 in (119 cm)
Overall Height (No Canopy)	48.6 in (123 cm) (Top of steering wheel)
Overall Height (With Canopy)	72.0 in (183 cm)
Wheel Base	65.5 in (166 cm)
Front Wheel Track	37.0 in (94 cm)
Rear Wheel Track	38.0 in (97 cm)
Gnd Clearance @ Differential	4.3 in (11 cm)
Cargo Box Width (inside)	44.5 in (113 cm)
Cargo Box Length (inside)	30.5 in (77 cm)
Cargo Box Depth (inside)	7.5 in (19 cm)
Cargo Box Capacity	5.9 cu ft (0.17 m ³)
Cargo Box material	Roto-molded polyethylene

Vehicle Power

Power Source	36 Volts DC
Motor Type	Series Wound
Horsepower (kW)	2.5 hp (1.9 kW) @ 2700 rpm
Electrical System	36 Volt
Batteries (Qty, Type)	Six, 6 Volt Deep Cycle
Key or Pedal Start	Pedal Start
Battery Charger	36 Volt Delta Q w/10' DC Cord, 120 VAC
Charger Location/Type	Portable
Speed Controller	Solid State 300 Amp Rated
Drive Train	Motor Shaft Direct Drive
Transaxle	Differential with helical gears
Gear Selection	Forward-Neutral-Reverse
Rear Axle Ratio	12.44:1

Performance

Seating Capacity	2 Person
Dry Weight	675 lb (310 kg) (Without Batteries)
Curb Weight	1040 lb (64 kg)
Bed Load Capacity	500 lb (230 kg)
Vehicle load capacity	800 lb (360 kg)
Outside Clearance Circle	18.9 ft (5.76 m)
Intersecting Aisle Clearance	N/A
Speed (Level Ground)	13 mph ± 0.5 mph (21 kph ± 0.8 kph)
Towing Capacity (Trailer Load)	2225 lb (1010 kg)

Steering & Suspension

Steering	Self-compensating rack and pinion
Front Suspension	Leaf springs with hydraulic shock absorbers
Rear Suspension	Leaf springs with hydraulic shock absorbers
Service Brake	Rear wheel mechanical self-adjusting drum
Parking Brake	Self-compensating, single point engagement
Front Tires	USA Trail 5.70 x 8 - 8 (Load Range C)
Rear Tires	USA Trail 5.70 x 8 - 8 (Load Range C)

Body & Chassis

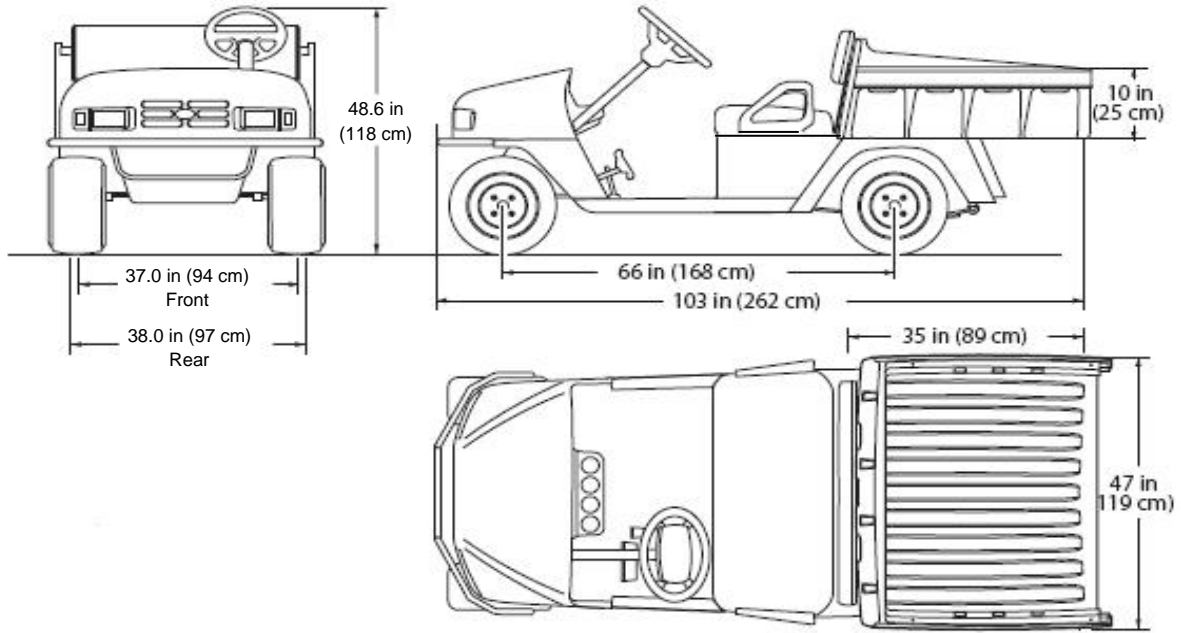
Frame	Welded steel with DuraShield™ powder coat
Front Body & Finish	Injection Molded TPO
Rear Body & Finish	Steel. Base coat/clear coat
Standard Color	Safety Yellow

Some items shown may be optional equipment

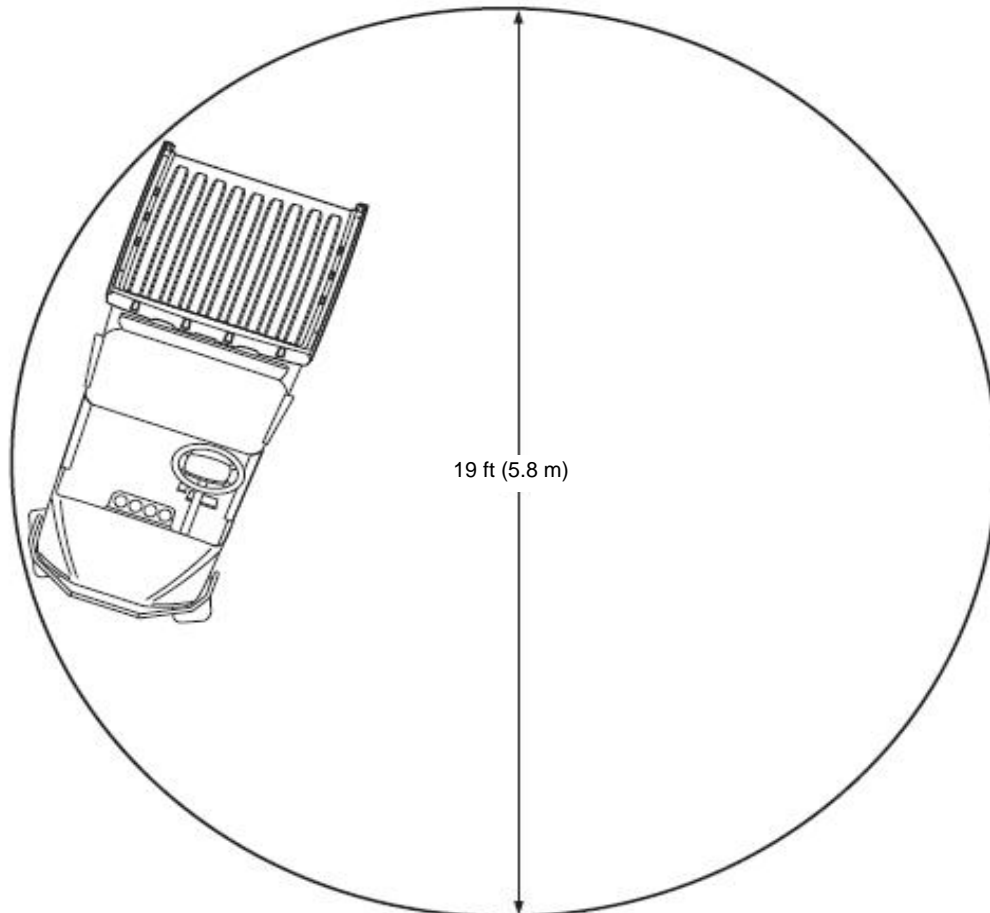
OPTIONS & FIELD INSTALLED ACCESSORIES (Installation not included)*

Item	Std	Opt	Fld	Item	Std	Opt	Fld
TIRES & WHEELS:				36 Volt Delta Q w/18' DC Cord, 120 VAC, UL & CSA		●	
Front & Rear:				36V PowerWise, 120 VAC, UL/CSA On-board Charger		●	
USA Trail 5.70 x 8 - 8 (Load Range C)	●			36 Volt Lester, 230 VAC, 50 Hz		●	
Sure Trail 18.50 x 8.50 - 8 (6 Ply - Load Range C)		●		Battery Fill System (BFS)		●	
Links 18.50 x 8.50 - 8		●		Nozzle/Fill Gun for BatteryFill System		●	
Turf Saver 18.50 x 8.50 - 8		●		Miscellaneous Electrical:			
Wheel Covers:				Horn	●		
Black & Gold Spokes		●		State of Charge Meter	●		
Black & Silver Spokes		●		Hour Meter		●	
VEHICLE COLORS:				Unique Individual Key Switch		●	
Safety Yellow	●			DC-DC Convertor (20 amps)		●	
Champaign Beige		●		PERFORMANCE OPTIONS:			
Hunter Green		●		Front Bumper/Brush Guard		●	
Bright White		●		Front Hydraulic Disc Brakes		●	
Black		●		Brush Guard Cage			●
Jacobsen Orange		●		Rear Differential Scuff Guard		●	
Flame Red		●		OTHER OPTIONS & ACCESSORIES			
SEAT COLORS:				Ash Tray		●	
Black	●			Locking Glove Box Doors			●
Oyster		●		Rear View Mirror (Sun Canopy Top Required)			●
Gray		●		WEATHER PROTECTION:			
HAULING & TOWING:				Champagne Beige Sun Canopy Top			●
36" Black Plastic Bed Manual Lift	●			Tan Sun Canopy Top			●
36" Black Plastic Bed with Gas Spring Assist		●		Tan Sun Canopy Top for Brush Guard Cage			●
36" Black Plastic Bed with Electric Lift		●		Fixed/Flat Windshield for Sun Canopy Top			●
2" Rear Receiver Kit		●		Fold-Down/Split Windshield for Sun Canopy Top			●
1 7/8 in (48 mm) Ball Hitch		●		Fixed/Flat Lexan Windshield for Sun Canopy Top			●
1 7/8 in (48 mm) Drop Ball Hitch		●		Fold-Down/Split Lexan Windshield for Sun Canopy Top			●
Angle Hitch		●		Fixed/Flat Windshield for Brush Guard Cage			●
Drop Angle Hitch		●		Tan or White 3-sided Weather Enclosure			●
Clevis Hitch		●		VEHICLE CABS & ACCESSORIES FOR CABS			
Drop Clevis Hitch		●		Tan or White Steel Cab			●
Dump Trailer with Poly Bed			●	Tan or White Steel Cab Doors			●
Dump Trailer with Steel Bed			●	Tan Vinyl Cab Doors			●
ELECTRICAL:				Windshield Wiper			●
Lighting				Rear View Mirror			●
Headlights	●			Defroster/Cooling Fan			●
Tail Lights		●		Interior Dome Light			●
Brake Lights		●		Work Light			●
Turn Signals with 4-Way Flashers		●		Strobe Light			●
Work Lights			●	Amber Beacon			●
Work Lights with Strobe Light			●	Switch Panel/Fuse Block			●
Batteries, Chargers & Battery Accessories:				VEHICLE CERTIFICATION KIT(S)			
Trojan T-105 36V Battery Pack	●			Underwriters Laboratories (UL) Type 'E' Certification		●	
Trojan T-125 36V Battery Pack		●		Underwriters Laboratories (UL) Type 'EE' Certification		●	
Trojan T-145 36V Battery Pack		●		CE Certification Kit		●	
36 Volt Delta Q w/10' DC Cord, 120 VAC, UL & CSA	●						

DIMENSIONS



CLEARANCE CIRCLE DIAGRAM



MODEL: COMMANDER 280
TYPE: GASOLINE POWERED TRUCK
MODEL YEAR: 2010

Part No.: 605813, 606685 California



PRODUCT SPECIFICATION

CONFIGURATION HIGHLIGHTS

- Engine:** 13 hp (9.7 kW) Exceeds SAE J1940 Standard, 4 cycle, 24.5 ci (401 cc) single cylinder, air-cooled by Kawasaki
- **Valve Train:** Overhead valve
 - **Lubrication:** Pressurized oil system, spin-on oil filter
 - **Balancer:** Internal counter rotating balance shaft
 - **Fuel System:** Fixed float bowl with remote pulse fuel pump
 - **Ignition:** Electronic spark/magneto
 - **Air Cleaner:** Replaceable dry cartridge
- Electrical:** Starter/Generator, solid-state regulator, 12 Volt maintenance free battery (425 CCA, 60 minute reserve)
- Drive Train:** Automatic, continuously variable transmission (CVT)
- Brakes:** Dual rear wheel mechanical self-adjusting drum brakes. Automatic single point park brake release with self-compensating system
- Transaxle:** Differential with helical gears, ground speed governor, forward/reverse
- Capacity:** Seating for 2 persons.

PRODUCT OVERVIEW

Dimensions

Overall Length	103.0 in (260 cm)
Overall Width	46.5 in (118 cm)
Overall Height (No Canopy)	48.6 in (123 cm) (Top of steering wheel)
Overall Height (With Canopy)	72.0 in (183 cm)
Wheel Base	65.5 in (166 cm)
Front Wheel Track	37.0 in (94 cm)
Rear Wheel Track	38.0 in (97 cm)
Gnd Clearance @ Differential	3.3 in (8 cm)
Cargo Box Width (inside)	44.5 in (113 cm)
Cargo Box Length (inside)	30.5 in (77 cm)
Cargo Box Depth (inside)	7.5 in (19 cm)
Cargo Box Capacity	5.9 cu ft (0.17 m3)
Cargo Box Material	Roto-molded polyethylene

Vehicle Power

Power Source	4 Cycle 24.5 cu in (401 cc). Low E
Valve Train	Single Cylinder OHV
Horsepower (kW)	13 hp (9.7 kW) Exceeds SAE J1940 Std.
Electrical System	Starter/Generator. Solid State Regulator
Batteries (Qty, Type)	One, 12 Volt Maintenance Free
Key or Pedal Start	Pedal
Air Cleaner	Industrial Rated Dry Filter
Lubrication	Pressurized Oil System
Oil Filter	Spin-On
Cooling System	Air Cooled
Fuel Capacity	5.8 Gallon (22.0 L) tank
Drive Train	Continuously variable transmission (CVT)
Transaxle	Differential with helical gears
Gear Selection	Forward - Reverse
Rear Axle Ratio	11.42:1 (Forward) 15.78:1 (Reverse)

Performance

Seating Capacity	2 Persons
Dry Weight	750 lb (340 kg)
Curb Weight	780 lb (355 kg)
Bed Load Capacity	500 lb (225 kg)
Vehicle load capacity	800 lb (360 kg)
Outside Clearance Circle	18.9 ft (5.8 m)
Speed - Forward	14.0 mph ± 0.5 mph (22.5 kph ± 0.8 kph)
Speed - Reverse	10.1 mph ± 0.5 mph (16.3 kph ± 0.8 kph)
Towing Capacity (Trailer Load)	2075 lb (940 kg)

Steering & Suspension

Steering	Self-compensating rack and pinion
Front Suspension	Leaf springs with hydraulic shock absorbers
Rear Suspension	Leaf springs with hydraulic shock absorbers
Service Brake	Rear wheel mechanical self-adjusting drum
Parking Brake	Self-compensating, single point engagement
Front Tires	USA Trail 5.70 x 8 - 8 (Load Range C)
Rear Tires	USA Trail 5.70 x 8 - 8 (Load Range C)

Body & Chassis

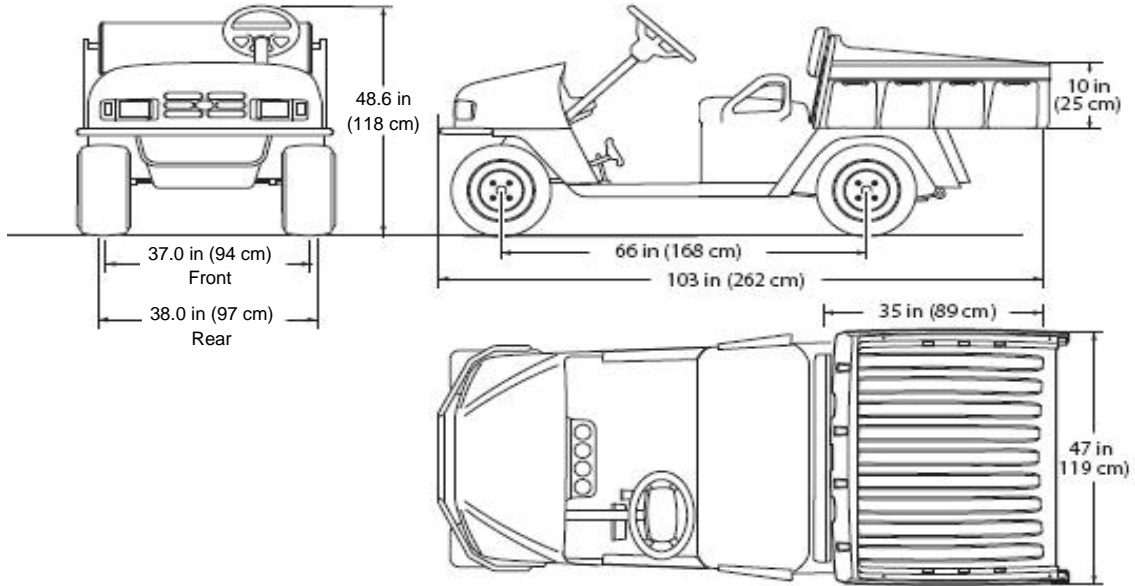
Frame	Welded steel with DuraShield™ powder coat
Front Body & Finish	Injection molded TPO
Rear Body & Finish	Steel. Base coat/clear coat
Standard Color	Safety Yellow

Some items shown may be optional equipment

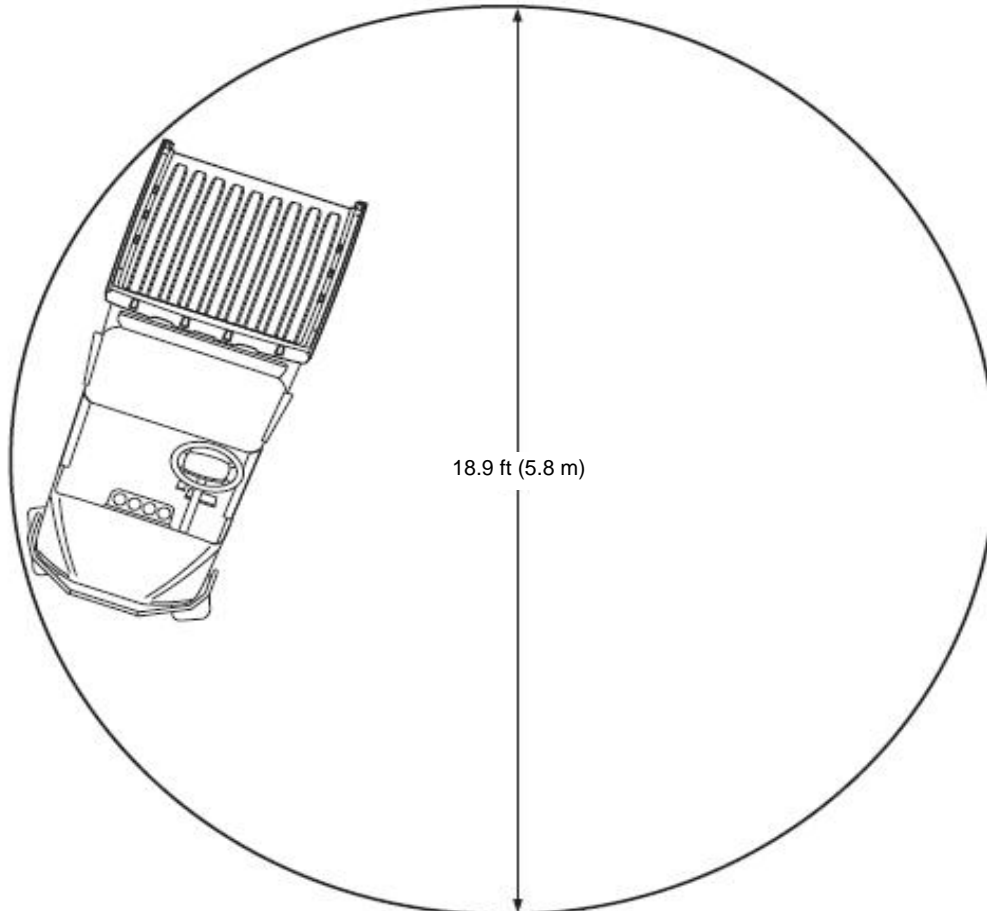
OPTIONS & FIELD INSTALLED ACCESSORIES (Installation not included)*

Item	Std	Opt	Fld	Item	Std	Opt	Fld
TIRES & WHEELS:				Miscellaneous Electrical (Cont'd):			
Front & Rear:				Heavy Duty Battery (525 CCA @ 0°F)			
USA Trail 5.70 x 8 - 8 (Load Range C)	●			Unique Individual Key Switch		●	
Sure Trail 18.50 x 8.50 - 8 (6 Ply - Load Range C)		●		PERFORMANCE OPTIONS:			
Links 18.50 x 8.50 - 8		●		Front Bumper/Brush Guard		●	
Turf Saver 18.50 x 8.50 - 8		●		High Altitude Jets (3,000-6,000 ft, >6,000 ft)		●	
Wheel Covers:				Front Hydraulic Disc Brakes		●	
Black & Gold Spokes		●		Spark Arrestor			●
Black & Silver Spokes		●		Brush Guard Cage			●
VEHICLE COLORS:				Clutch Belt Shield			●
Safety Yellow	●			OTHER OPTIONS & ACCESSORIES			
Champaign Beige		●		Ash Tray		●	
Hunter Green		●		Locking Glove Box Doors			●
Bright White		●		Rear View Mirror (Sun Canopy Top Required)			●
Black		●		WEATHER PROTECTION:			
Jacobsen Orange		●		Champagne Beige Sun Canopy Top			●
Flame Red		●		Tan Sun Canopy Top			●
SEAT COLORS:				Tan Sun Canopy Top for Brush Guard Cage			●
Black	●			Fixed/Flat Windshield for Sun Canopy Top			●
Oyster		●		Fold-Down/Split Windshield for Sun Canopy Top			●
Gray		●		Fixed/Flat Lexan Windshield for Sun Canopy Top			●
HAULING & TOWING:				Fold-Down/Split Lexan Windshield for Sun Canopy Top			●
36" Black Plastic Bed Manual Lift	●			Fixed/Flat Windshield for Brush Guard Cage			●
36" Black Plastic Bed with Gas Spring Assist		●		Tan 3-sided Weather Enclosure (Top & Windshield Req'd)			●
36" Black Plastic Bed with Electric Lift		●		White 3-sided Weather Enclosure (Top & Windshield Req'd)			●
2" Rear Receiver Kit		●		VEHICLE CABS & ACCESSORIES FOR CABS			
1 7/8 in (48 mm) Ball Hitch		●		Tan Steel Cab			●
1 7/8 in (48 mm) Drop Ball Hitch		●		White Steel Cab			●
Angle Hitch		●		Tan Steel Cab Doors			●
Drop Angle Hitch		●		White Steel Cab Doors			●
Clevis Hitch		●		Tan Vinyl Cab Doors			●
Drop Clevis Hitch		●		Windshield Wiper			●
Dump Trailer wth Poly Bed			●	Rear View Mirror			●
Dump Trailer wth Steel Bed			●	12 V Heater			●
ELECTRICAL:				Defroster/Cooling Fan			●
Lighting				Interior Dome Light			●
Headlights	●			Work Light			●
Tail Lights		●		Strobe Light			●
Brake Lights		●		Amber Beacon			●
Turn Signals with 4-Way Flashers		●		Switch Panel/Fuse Block			●
Work Lights			●	VEHICLE CERTIFICATION KIT(S)			
Work Lights with Strobe Light			●	CE Certification Kit		●	
Miscellaneous Electrical							
Horn	●						
Fuel Gauge & Low Oil Light		●					
Hour Meter		●					
12 Volt Accessory Outlet		●					

DIMENSIONS



CLEARANCE CIRCLE DIAGRAM



MODEL: COMMANDER 2100
TYPE: ELECTRIC POWERED TRUCK
MODEL YEAR: 2010

Part No.: 76242



PRODUCT SPECIFICATION

CONFIGURATION HIGHLIGHTS

Precision Drive System™ (PDS): Factory programmable to application

- Solid State continuously variable separately excited speed controller
- Dash mounted direction selector switch (Forward-Neutral-Reverse)
- Anti-roll back, walkaway braking and alarm
- Anti-stall motor protection
- Regenerative 'Pedal Down' and/or 'Pedal Up' braking
- Full torque, reduced speed reverse
- Inductive throttle sensor
- Diagnostic indicator
- Factory selectable performance options

Battery Charger: 48 VDC PowerWise™, 120/230 VAC 50/60 Hz. Underwriters Laboratories (U.L.) Listed, (C.S.A. Certified)

Motor: 48 Volt DC shunt wound, brazed armature, solid copper windings. Non vented 2.5 hp (1.9 kW) @ 2700 rpm (1 hour)

Drive Train: Direct motor shaft connected to transaxle pinion shaft

Electrical System: 48 Volt DC, eight, 6 volt deep cycle storage batteries batteries (115 minute minimum, 225 amp-hour @ 20 hr. discharge rate)

Transaxle: Differential with helical gears

Brakes: Dual rear wheel mechanical self-adjusting drum brakes. Automatic single point park brake release with self-compensating system

Cargo Bed: Roto-molded cross-linked polyethelene. Lifts for access to powertrain. Removable hinged multi-position tailgate requires no latch mechanism

PRODUCT OVERVIEW

Dimensions

Overall Length	110.5 in (280 cm)
Overall Width	49.8 in (126 cm)
Overall Height (No Canopy)	48.6 in (123 cm) (Top of steering wheel)
Overall Height (With Canopy)	72.0 in (183 cm)
Wheel Base	77.0 in (196 cm)
Front Wheel Track	37.5 in (95 cm)
Rear Wheel Track	38.0 in (97 cm)
Ground Clearance (at Differential)	4.3 in (11 cm)
Cargo Box Width (inside)	44.0 in (112 cm)
Cargo Box Length (inside)	36.0 in (91 cm)
Cargo Box Depth (inside)	10.5 in (27 cm)
Cargo Box Capacity	9.6 cu ft (0.27 m3)
Cargo Box material	Roto-molded polyethylene

Vehicle Power

Power Source	48 Volts DC
Motor Type	Shunt Wound
Horsepower (kW)	2.5 hp (1.9 kW) @ 2700 rpm
Electrical System	48 Volt
Batteries (Qty, Type)	Eight, 6 Volt Deep Cycle
Key or Pedal Start	Pedal Start
Battery Charger	48 V Delta Q with 10' DC Cord
Speed Controller	400 Amp Precision Drive System (PDS)
Drive Train	Motor Shaft Direct Drive
Transaxle	Differential with helical gears

Gear Selection	Dash Mounted Forward-Neutral-Reverse
Rear Axle Ratio	14.7:1

Performance

Seating Capacity	2 Person
Dry Weight	810 lb (370 kg) (Without Batteries)
Curb Weight	1300 lb (590 kg)
Bed Load Capacity	600 lb (270 kg)
Vehicle load capacity	1000 lb (450 kg)
Outside Clearance Circle	22.0 ft (6.7 m)
Intersecting Aisle Clearance	N/A
Ground Speed (Level Ground)	13 mph ± 0.5 mph (21 kph ± 0.8 kph)
Towing Capacity (Trailer Load)	1725 lb (780 kg) max load

Steering & Suspension

Steering	Self-compensating rack and pinion
Front Suspension	Leaf springs with hydraulic shock absorbers
Rear Suspension	Leaf springs with hydraulic shock absorbers
Service Brake	Rear wheel mechanical self-adjusting drum
Parking Brake	Self-compensating, single point engagement
Front Tires	USA Trail 5.70 x 8 - 8 (Load Range C)
Rear Tires	USA Trail 5.70 x 8 - 8 (Load Range C)

Body & Chassis

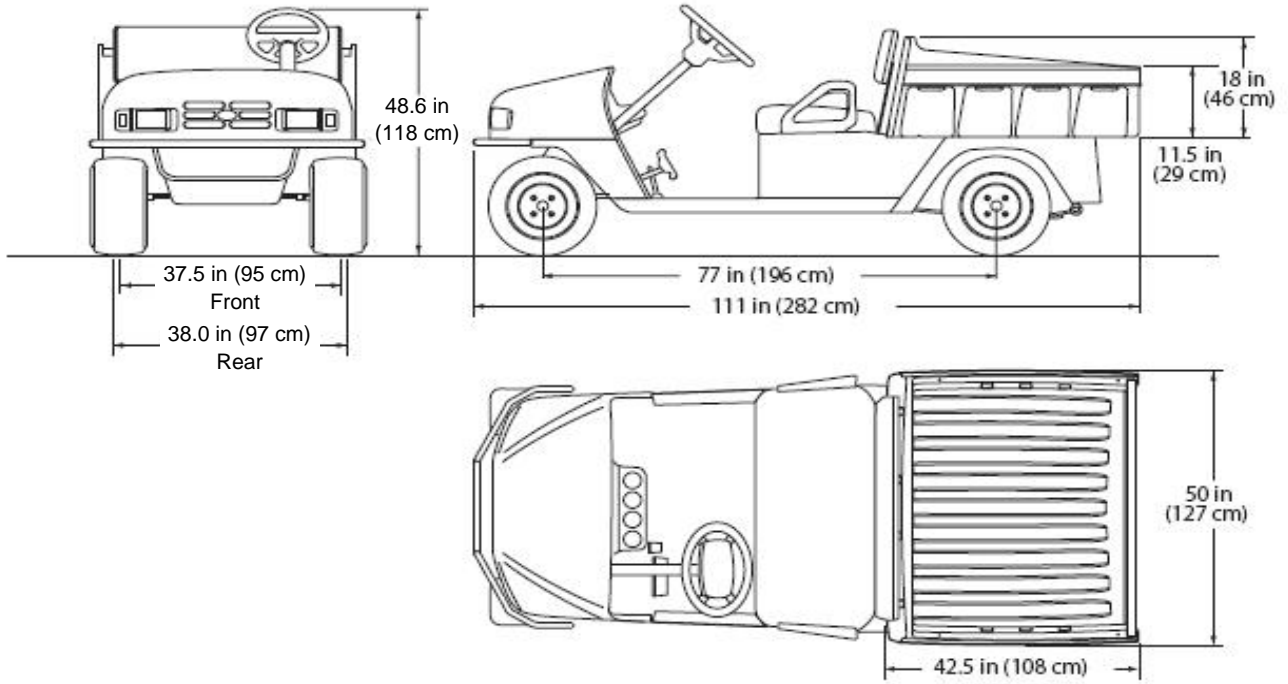
Frame	Welded steel with DuraShield™ powder coat
Front Body & Finish	Injection molded TPO
Rear Body & Finish	Steel. Base coat/clear coat
Standard Color	Safety Yellow

Some items shown may be optional equipment

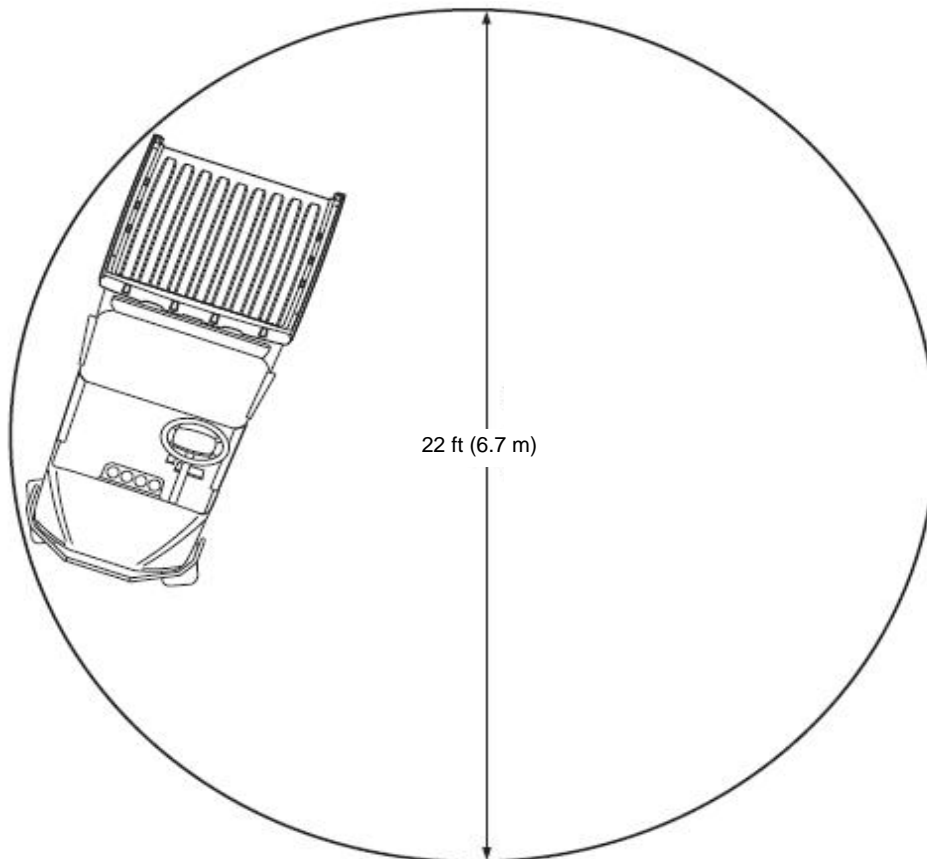
OPTIONS & FIELD INSTALLED ACCESSORIES (Installation not included)*

Item	Std	Opt	Fld	Item	Std	Opt	Fld
TIRES & WHEELS:							
Front & Rear:							
USA Trail 5.70 x 8 - 8 (Load Range C)	●			48 Volt Delta Q w/18' DC Cord, 120 VAC, UL & CSA		●	
Sure Trail 18.50 x 8.50 - 8 (6 Ply - Load Range C)		●		48 VDC PowerWise SCR, 120 VAC, 50/60 Hz (Japan)		●	
Links 18.50 x 8.50 - 8		●		48 Volt Lester, 230 VAC, 50 Hz		●	
Turf Saver 18.50 x 8.50 - 8		●		Battery Fill System (BFS)		●	
Wheel Covers:				Miscellaneous Electrical:			
Black & Gold Spokes		●		Horn	●		
Black & Silver Spokes		●		State of Charge Meter	●		
VEHICLE COLORS:							
Safety Yellow	●			Hour Meter		●	
Champaign Beige		●		Unique Individual Key Switch		●	
Hunter Green		●		DC-DC Convertor (20 amps)		●	
Bright White		●		PERFORMANCE OPTIONS:			
Black		●		Front Bumper/Brush Guard		●	
Jacobsen Orange		●		Front Hydraulic Disc Brakes		●	
Flame Red		●		Brush Guard Cage			●
SEAT COLORS:				REAR DIFFERENTIAL SCUFF GUARD			
Black	●					●	
Oyster		●		OTHER OPTIONS & ACCESSORIES			
Gray		●		Ash Tray		●	
HAULING & TOWING:				LOCKING GLOVE BOX DOORS			
40" Black Plastic Bed Manual Lift	●						●
40" Black Plastic Bed with Electric Lift		●		Rear View Mirror (Sun Canopy Top Required)			●
40" Flatbed		●		WEATHER PROTECTION:			
2" Rear Receiver Kit		●		Champagne Beige Sun Canopy Top			●
1 7/8 in (48 mm) Ball Hitch		●		Tan Sun Canopy Top			●
1 7/8 in (48 mm) Drop Ball Hitch		●		Tan Sun Canopy Top for Brush Guard Cage			●
Angle Hitch		●		Fixed/Flat Windshield for Sun Canopy Top			●
Drop Angle Hitch		●		Fold-Down/Split Windshield for Sun Canopy Top			●
Clevis Hitch		●		Fixed/Flat Lexan Windshield for Sun Canopy Top			●
Drop Clevis Hitch		●		Fold-Down/Split Lexan Windshield for Sun Canopy Top			●
Dump Trailer wth Poly Bed			●	Fixed/Flat Windshield for Brush Guard Cage			●
Dump Trailer wth Steel Bed			●	Tan or White 3-sided Weather Enclosure			●
ELECTRICAL:				VEHICLE CABS & ACCESSORIES FOR CABS			
Lighting				Tan or White Steel Cab			
Headlights	●			Tan or White Steel Cab Doors			●
Tail Lights		●		Tan Vinyl Cab Doors			●
Brake Lights		●		Windshield Wiper			●
Turn Signals with 4-Way Flashers		●		Rear View Mirror			●
Work Lights			●	Defroster/Cooling Fan			●
Work Lights with Strobe Light			●	Interior Dome Light			●
Batteries, Chargers & Battery Accessories:				Work Light			
Trojan T-105 48V Battery Pack	●			Strobe Light			●
Trojan T-125 48V Battery Pack		●		Amber Beacon			●
Trojan T-145 48V Battery Pack		●		Switch Panel/Fuse Block			●
48 Volt Delta Q w/10' DC Cord, 120 VAC, UL & CSA	●			VEHICLE CERTIFICATION KIT(S)			
				Underwriters Laboratories (UL) Type 'E' Certification			
				Underwriters Laboratories (UL) Type 'EE' Certification			
				CE Certification Kit			

DIMENSIONS



CLEARANCE CIRCLE DIAGRAM



MODEL: COMMANDER 2200
TYPE: GASOLINE POWERED TRUCK
MODEL YEAR: 2010
Part No.: 605814, 606680 California



PRODUCT SPECIFICATION

CONFIGURATION HIGHLIGHTS

Engine: 13 hp (9.7 kW) Exceeds SAE J1940 Standard, 4 cycle, 24.5 ci (401 cc) single cylinder, air-cooled by Kawasaki

- **Valve Train:** Overhead valve
- **Lubrication:** Pressurized oil system, spin-on oil filter
- **Balancer:** Internal counter rotating balance shaft
- **Fuel System:** Fixed float bowl with remote pulse fuel pump
- **Ignition:** Electronic spark/magneto
- **Air Cleaner:** Replaceable dry cartridge

Electrical: Starter/Generator, solid-state regulator, 12 Volt maintenance free battery (425 CCA, 60 minute reserve)

Drive Train: Automatic, continuously variable transmission (CVT)

Brakes: Dual rear wheel mechanical self-adjusting drum brakes. Automatic single point park brake release with self-compensating system

Transaxle: Differential with helical gears, ground speed governor, forward/reverse

Cargo Bed: Roto-molded cross-linked polyethylene. Lifts for access to powertrain. Removable hinged multi-position tailgate requires no latch mechanism

PRODUCT OVERVIEW

Dimensions

Overall Length	110.5 in (280 cm)
Overall Width	49.8 in (126 cm)
Overall Height (No Canopy)	48.6 in (123 cm) (Top of steering wheel)
Overall Height (With Canopy)	72.0 in (183 cm)
Wheel Base	77.0 in (196 cm)
Front Wheel Track	37.0 in (94 cm)
Rear Wheel Track	38.0 in (97 cm)
Gnd Clearance @ Differential	3.3 in (8 cm)
Cargo Box Width (inside)	44.0 in (112 cm)
Cargo Box Length (inside)	36.0 in (91 cm)
Cargo Box Depth (inside)	10.5 in (27 cm)
Cargo Box Capacity	9.6 cu ft (0.27 m ³)
Cargo Box material	Roto-molded polyethylene

Vehicle Power

Power Source	4 Cycle 24.5 cu in (401 cc)
Valve Train	Single Cylinder OHV
Horsepower (kW)	13 hp (9.7 kW) Exceeds SAE J1940 Std.
Electrical System	Starter/Generator. Solid State Regulator
Batteries (Qty, Type)	One, 12 Volt (425 CCA @ 0° F)
Key or Pedal Start	Pedal
Air Cleaner	Industrial Rated Dry Filter
Lubrication	Pressurized Oil System
Oil Filter	Spin-On
Cooling System	Air Cooled
Fuel Capacity	5.8 Gallon (22.0 L) tank
Drive Train	Continuously Variable Transmission (CVT)
Transaxle	Differential with helical gears
Gear Selection	Forward - Reverse
Rear Axle Ratio	11.42:1 (Forward) 15.78:1 (Reverse)

Performance

Seating Capacity	2 Persons
Dry Weight	790 lb (360 kg)
Curb Weight	930 lb (420 kg)
Bed Load Capacity	800 lb (360 kg)
Vehicle load capacity	1200 lb (545 kg)
Outside Clearance Circle	22.0 ft (6.7 m)
Speed - Forward	14.0 mph ± 0.5 mph (22.5 kph ± 0.8 kph)
Speed - Reverse	10.1 mph ± 0.5 mph (16.3 kph ± 0.8 kph)
Towing Capacity (Trailer Load)	1725 lb (780 kg) max load

Steering & Suspension

Steering	Self-compensating rack and pinion
Front Suspension	Leaf springs with hydraulic shock absorbers
Rear Suspension	Leaf springs with hydraulic shock absorbers
Service Brake	Rear wheel mechanical self-adjusting drum
Parking Brake	Self-compensating, single point engagement
Front Tires	USA Trail 5.70 x 8 - 8 (Load Range C)
Rear Tires	USA Trail 5.70 x 8 - 8 (Load Range C)

Body & Chassis

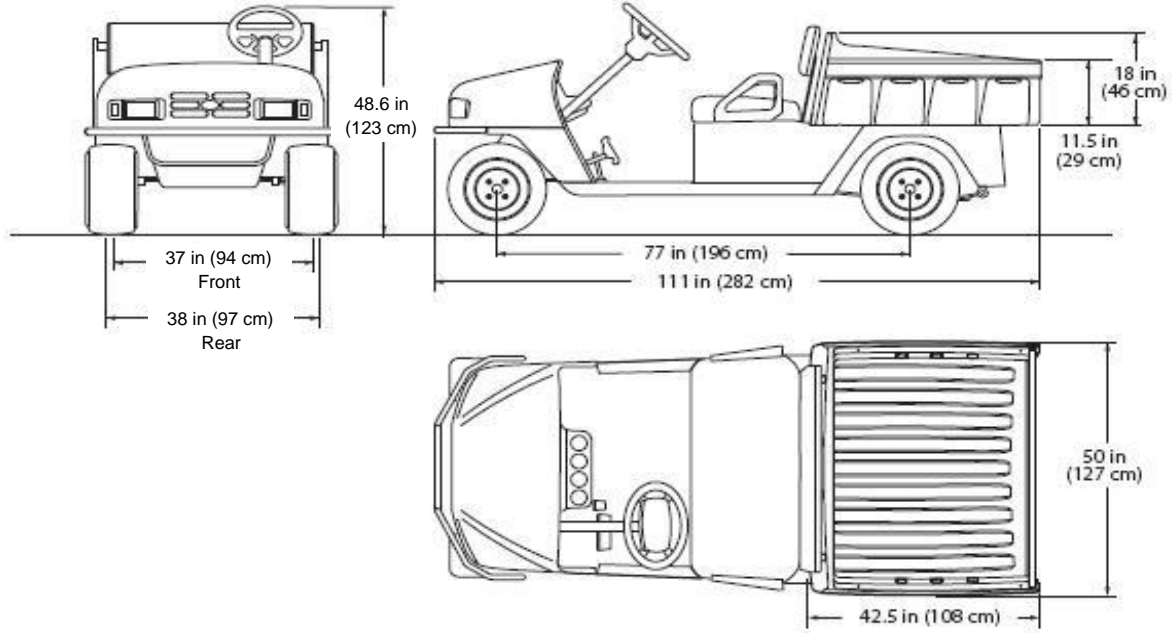
Frame	Welded steel with DuraShield™ powder coat
Front Body & Finish	Injection molded TPO
Rear Body & Finish	Steel. Base coat/clear coat
Standard Color	Safety Yellow

Some items shown may be optional equipment

OPTIONS & FIELD INSTALLED ACCESSORIES (Installation not included)*

Item	Std	Opt	Fld	Item	Std	Opt	Fld
TIRES & WHEELS:				Miscellaneous Electrical (Cont'd):			
Front & Rear:				Heavy Duty Battery (525 CCA @ 0°F)			
USA Trail 5.70 x 8 - 8 (Load Range C)	●			Unique Individual Key Switch		●	
Sure Trail 18.50 x 8.50 - 8 (6 Ply - Load Range C)		●		PERFORMANCE OPTIONS:			
Links 18.50 x 8.50 - 8		●		Front Bumper/Brush Guard		●	
Turf Saver 18.50 x 8.50 - 8		●		Remote Air Intake		●	
Wheel Covers:				High Altitude Jets (3,000-6,000 ft, >6,000 ft)		●	
Black & Gold Spokes		●		Front Hydraulic Disc Brakes		●	
Black & Silver Spokes		●		Spark Arrestor			●
VEHICLE COLORS:				Brush Guard Cage			●
Safety Yellow	●			Clutch Belt Shield			●
Champaign Beige		●		OTHER OPTIONS & ACCESSORIES			
Hunter Green		●		Ash Tray		●	
Bright White		●		Locking Glove Box Doors			●
Black		●		Rear View Mirror (Sun Canopy Top Required)			●
Jacobsen Orange		●		WEATHER PROTECTION:			
Flame Red		●		Champagne Beige Sun Canopy Top			●
SEAT COLORS:				Tan Sun Canopy Top			●
Black	●			Tan Sun Canopy Top for Brush Guard Cage			●
Oyster		●		Fixed/Flat Windshield for Sun Canopy Top			●
Gray		●		Fold-Down/Split Windshield for Sun Canopy Top			●
HAULING & TOWING:				Fixed/Flat Lexan Windshield for Sun Canopy Top			●
40" Black Plastic Bed Manual Lift	●			Fold-Down/Split Lexan Windshield for Sun Canopy Top			●
40" Black Plastic Bed with Electric Lift		●		Fixed/Flat Windshield for Brush Guard Cage			●
40" Steel Flatbed with Manual Lift		●		Tan 3-sided Weather Enclosure (Top & Windshield Req'd)			●
2" Rear Receiver Kit			●	White 3-sided Weather Enclosure (Top & Windshield Req'd)			●
1 7/8 in (48 mm) Ball Hitch		●		VEHICLE CABS & ACCESSORIES FOR CABS			
1 7/8 in (48 mm) Drop Ball Hitch		●		Tan Steel Cab			●
Angle Hitch		●		White Steel Cab			●
Drop Angle Hitch		●		Tan Steel Cab Doors			●
Clevis Hitch		●		White Steel Cab Doors			●
Drop Clevis Hitch		●		Tan Vinyl Cab Doors			●
Dump Trailer with Poly Bed			●	Windshield Wiper			●
Dump Trailer with Steel Bed			●	Rear View Mirror			●
ELECTRICAL:				12 V Heater			●
Lighting				Defroster/Cooling Fan			●
Headlights	●			Interior Dome Light			●
Tail Lights		●		Work Light			●
Brake Lights		●		Strobe Light			●
Turn Signals with 4-Way Flashers		●		Amber Beacon			●
Work Lights			●	Switch Panel/Fuse Block			●
Work Lights with Strobe Light			●	VEHICLE CERTIFICATION KIT(S)			
Miscellaneous Electrical				CE Certification Kit		●	
Horn	●						
Fuel Gauge & Low Oil Light		●					
Hour Meter		●					
12 Volt Accessory Outlet		●					

DIMENSIONS



CLEARANCE CIRCLE DIAGRAM

