



Steca Solarix

2401, 4401

The solar charge controllers Steca Solarix 2401 and 4401 are optimally suited for inverter systems. The controller combines basic solar charger functions with a 40 A high-performance charge controller. It is available as 12 V / 24 V and 48 V system. This makes the solar charge controller very cost effective.

The load current is limited to 10 A. The charging processes are based on the voltage level, which can be individually set with the help of four buttons behind the front casing.



Product features

- Hybrid controller
- Voltage regulation
- Automatic detection of voltage
- PWM control
- Multistage charging technology
- Load disconnection depending on voltage
- Automatic load reconnection
- Temperature compensation
- Common positive grounding or negative grounding on one terminal
- Integrated self test
- Monthly maintenance charge

Electronic protection functions

- Overcharge protection
- Deep discharge protection
- Reverse polarity protection of load, module and battery
- Reverse polarity protection by internal fuse
- Automatic electronic fuse
- Short circuit protection of load and module
- Overvoltage protection at module input
- Open circuit protection without battery
- Reverse current protection at night
- Overtemperature and overload protection
- Battery overvoltage shutdown

Displays

- Text LCD display
 - for operating parameters, fault messages, self test

Operation

- Simple menu-driven operation
- Programming by buttons
- Manual load switch

Interfaces

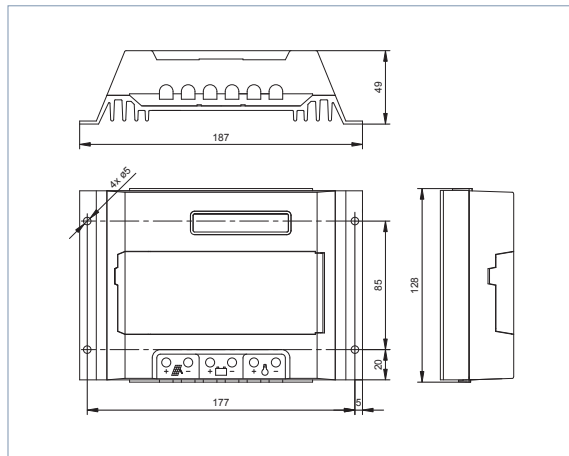
- RJ45 interface

Options

- External temperature sensor
- Alarm contact

Certificates

- Compliant with European Standards (CE)
- Made in Germany
- Developed in Germany
- Manufactured according to ISO 9001 and ISO 14001



	2401	4401
Characterisation of the operating performance		
System voltage	12 V (24 V)	48 V
Own consumption	14 mA	
DC input side		
Module current	40 A	
DC output side		
Load current	10 A	
programmable	End of charge voltage	13.7 V (27.4 V) / 54.8 V
	Boost charge voltage	14.4 V (28.8 V) / 57.6 V
	Equalisation charge	14.7 V (29.4 V) / 58.8 V
	Reconnection voltage (LVR)	12.6 V (25.2 V) / 50.4 V
	Deep discharge protection (LVD)	11.1 V (22.2 V) / 44.4 V
Operating conditions		
Ambient temperature	-10 °C ... +60 °C	
Fitting and construction		
Terminal (fine / single wire)	16 mm ² / 25 mm ² - AWG 6 / 4	
Degree of protection	IP 32	
Dimensions (X x Y x Z)	187 x 128 x 49 mm	
Weight	550 g	

Technical data at 25 °C / 77 °F



Steca PA TSK10
External temperature sensor

