



6" Monocrystalline PV module 60 cells



Key features

- High Quality Bill of Materials**
- Reinforced Module Warranty**
- High efficiency**
- Universal design (residential, commercial, ground mounted)**

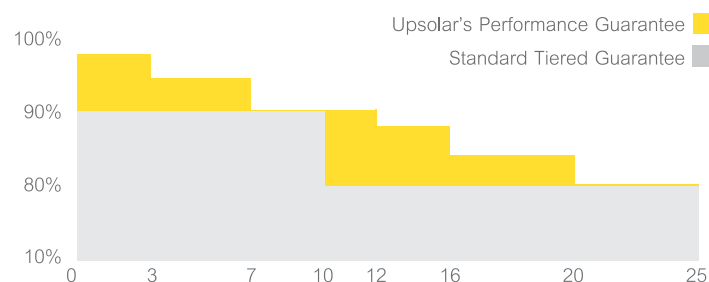


Secure Investment

Upsolar provides industry-leading product coverage for all our modules to ensure our customers achieve superior long-term value from their solar installations. In addition to a 10-year product warranty, which covers unanticipated module damage, Upsolar implements a 25-year performance guarantee known as the Reinforced Module Warranty.

Whereas traditional warranties offer only two trigger points over 25 years, the Reinforced Module Warranty features six trigger points at years 3, 7, 12, 16, 20 and 25. Upsolar also maintains relationships with third-party insurance providers to offer an additional layer of protection for interested parties.

Product guarantee for 10 years Performance guarantee for 25 years



NOTE:

- STD: Irradiance 1000 W/m², Module temperature 25°C, AM=1.5
- Nominal Operating Cell Temperature below data is only for reference
- Deviation of V_m (V), I_m (A), V_{oc} (V) and I_{sc} (A) of ±10%

Electrical Characteristics

MODEL	UP-M240M	UP-M245M	UP-M250M	UP-M255M	UP-M260M
Max Power P _m (Wp)	240	245	250	255	260
Max Power Voltage V _m (V)	29.6	29.8	30.0	30.2	30.4
Max Power Current I _m (A)	8.10	8.22	8.34	8.44	8.55
Open-Circuit Voltage V _{oc} (V)	37.1	37.4	37.7	38.0	38.3
Short-Circuit Current I _{sc} (A)	8.60	8.70	8.80	8.88	8.96
Module Efficiency	14.8%	15.1%	15.4%	15.7%	16.0%
Maximum System Voltage (V)	1000(IEC)/600(UL)				
Power Tolerance	±3%				
Series Fuse Rating (A)	20				

Components & Mechanical Data

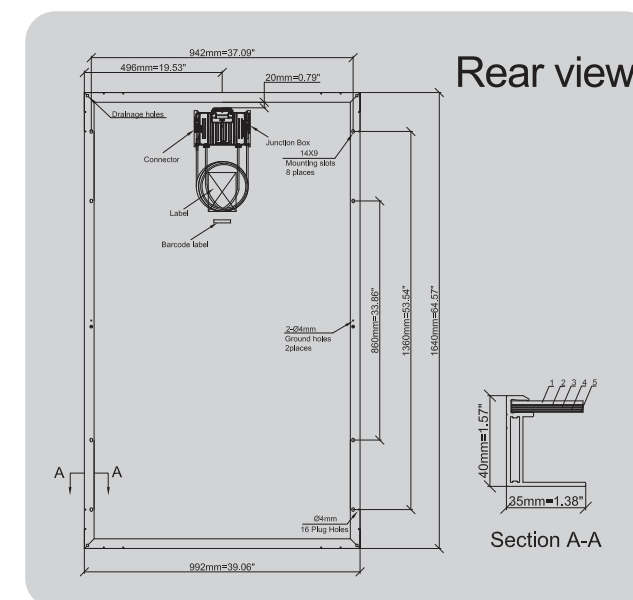
Front Glass	High Transparency Tempered Glass 0.125" // 3.2mm
Junction Box	Huber+Suhner (IP 67)
Bypass Diode	3 diodes - ST STPS1545CG
Output Cables	1.0m H+S , Radox smart // IEC, UL approved (4mm ² , 12AWG) (PV Wire Type)
Connectors	MC4 IP67, IEC and UL approved
Frame	Anodized aluminium alloy type 6063-T5
Encapsulation Material	EVA (0.018" // 0.45mm ± 0.001" // 0.03mm thickness)
Back Sheet	White multilayer polymer film
Temperature Range	-40°F to +194°F // -40°C to +90°C
Max Load	75 lbs / ft ² (UL Standard) // 5400 Pa (IEC Standards)
Impact Resistance	Steel ball - 1.18 lbs // 535g dropped from 51" // 1.3m high

Specifications

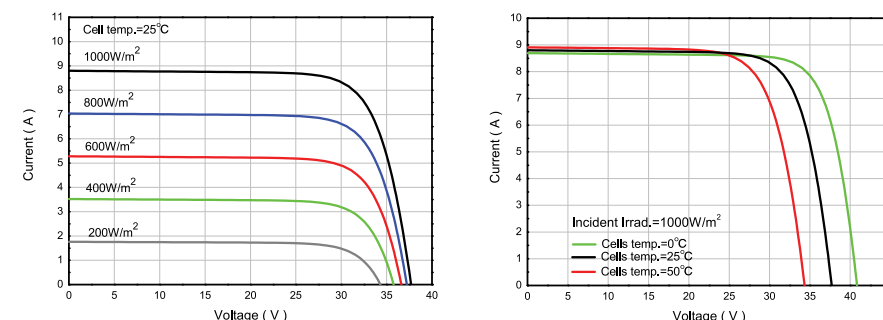
Cells	Monocrystalline silicon solar cells 6" x 6" // 156mm x 156mm
Cell Diameter	7.9" // 200mm
Number of Cells	60 (6 x 10)
Dimensions (in // mm)	64.57 x 39.06 x 1.57 // 1640 x 992 x 40
Weight (lb // kg)	41.9 // 19.0

Temperature Coefficients

NOCT (°C)	45 ± 2
Temperature Coefficients of I _{sc} (% / °C)	0.05 ± 0.01
Temperature Coefficients of V _{oc} (% / °C)	-0.32 ± 0.01
Temperature Coefficients of I _m (% / °C)	-0.02 ± 0.02
Temperature Coefficients of V _m (% / °C)	-0.42 ± 0.03
Temperature Coefficients of P _m (% / °C)	-0.43 ± 0.05



IV Curves



Options available

- Zep Frame
- Solrif Frame
- Tigo Integrated
- SolarEdge Integrated