



Solar Module

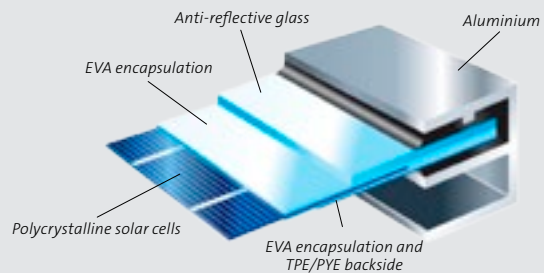
60 cells (215 - 220 - 225 - 230 - 235 - 240 Wp)



The Ubbink polycrystalline photovoltaic Solar Module are manufactured according to the highest standards in the Ubbink factory in The Netherlands. The intelligent frame design and the advanced junction-box help to make the Ubbink Solar Module a Dutch high-quality product.

Characteristics

Dimensions: 1.659 x 989 x 42 mm
Weight: 20,0 kg (+/- 0,5kg)
Glass: Thermally prestressed, tempered glass with anti-reflective coating



Electric characteristics

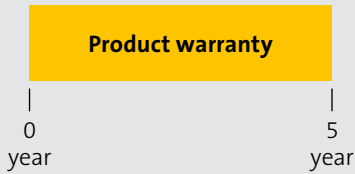
All indicated data is based on standard testing conditions (STC: Irradiation 1.000 W/m², temperature 25°C, Spectrum AM 1,5)

Nominal Power	Pm	215 Wp	220 Wp	225 Wp	230 Wp	235 Wp	240 Wp
Number of solar cells		60	60	60	60	60	60
Module efficiency		13,1 %	13,4 %	13,7 %	14,0 %	14,3 %	14,6 %
Open Circuit Voltage	Uoc	36,72 V	36,83 V	36,87 V	36,97 V	37,18 V	37,60 V
Short Circuit Current	Isc	8,35 A	8,4 A	8,46 A	8,5 A	8,57 A	8,59 A
Voltage at Pm	U (Pm)	28,28 V	28,40 V	28,57 V	28,91 V	29,14 V	29,58 V
Current at Pm	I (Pm)	7,70 A	7,79 A	7,91 A	7,95 A	8,04 A	8,08 A
Normal Operating Cell Temperature	NOCT	45 °C	45 °C	45 °C	45 °C	45 °C	45 °C
Temperature Coefficient (Uoc)		-126 mV/°C	-126 mV/°C	-126 mV/°C	-126 mV/°C	-126 mV/°C	-126 mV/°C
Temperature Coefficient (Isc)		3,2 mA/°C	3,2 mA/°C	3,2 mA/°C	3,2 mA/°C	3,2 mA/°C	3,2 mA/°C
Temperature Coefficient (Pm)		-0,45 %/°C	-0,45 %/°C	-0,45 %/°C	-0,45 %/°C	-0,45 %/°C	-0,45 %/°C
Maximum system voltage		1000 V	1000 V	1000 V	1000 V	1000 V	1000 V
Tolerance Pm		+/- 3 %	+/- 3 %	+/- 3 %	+/- 3 %	+/- 3 %	+/- 3 %
Tolerance U/I (Pm)		+/- 10 %	+/- 10 %	+/- 10 %	+/- 10 %	+/- 10 %	+/- 10 %
Connectors		MC-4	MC-4	MC-4	MC-4	MC-4	MC-4
Safety Class		II	II	II	II	II	II

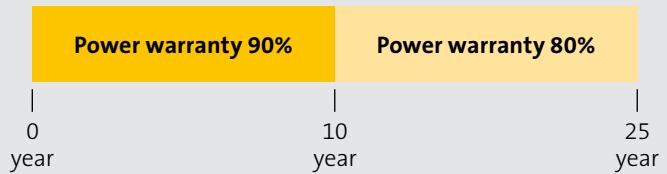


Advantages

Product warranty:



Power warranty:



Aesthetical :

- Perfect alignment of cells
- Interconnections between strings of cells invisible

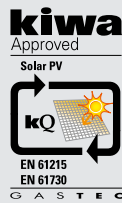
Safety:

- Junctionbox perfect waterresistant (IP65)
- Water draining holes in frame

Quality:

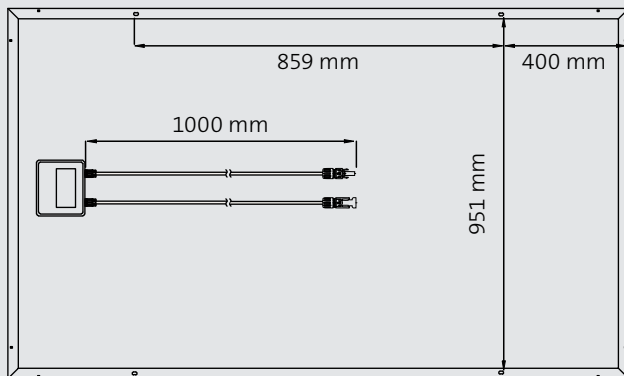
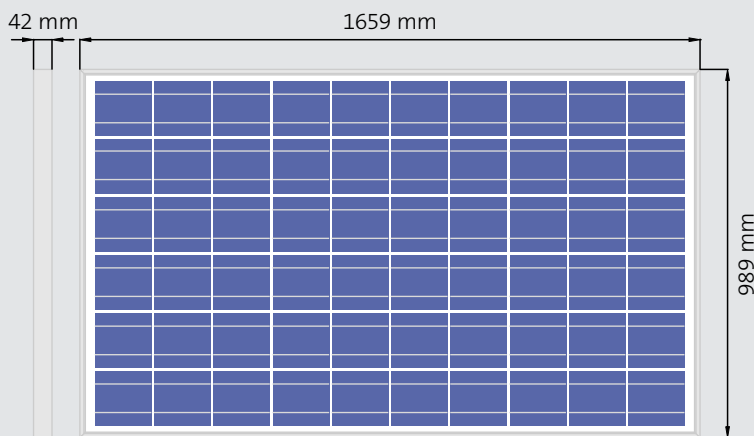
- High yield per square metre
- Advanced frame design

Certificates:



IEC: 61215
IEC: 61730

Dimensions



Tolerance on dimensions +/- 0,5 mm

