

SMS010 (17)S360×296

Specifications	
Cell	Monocrystalline silicon solar cells 62.5mm×31.25mm(1/2×1/4)
No.of cells and connections	36(4×9)
Dimension of module(mm)	360×296×25
Weight	1.4kg

Limits	
Operating temperature	-40 to +85℃
Maximum system voltage	715VDC

Characteristics			
Model	SMS008(17)S360×296	SMS010(17)S360×296	SMS012(17)S360×296
Open circuit voltage (Voc)	21	21.4	21.6
Optimum operating voltage(Vmp)	16.8	16.8	17.2
Short circuit current(Isc)	0.56	0.68	0.8
Optimum operating current(Imp)	0.48	0.6	0.7
Maximum power at STC(Pm)	8	10	12

STC:Irradiance1000w/m²,Module temperature 25℃,AM=1.5

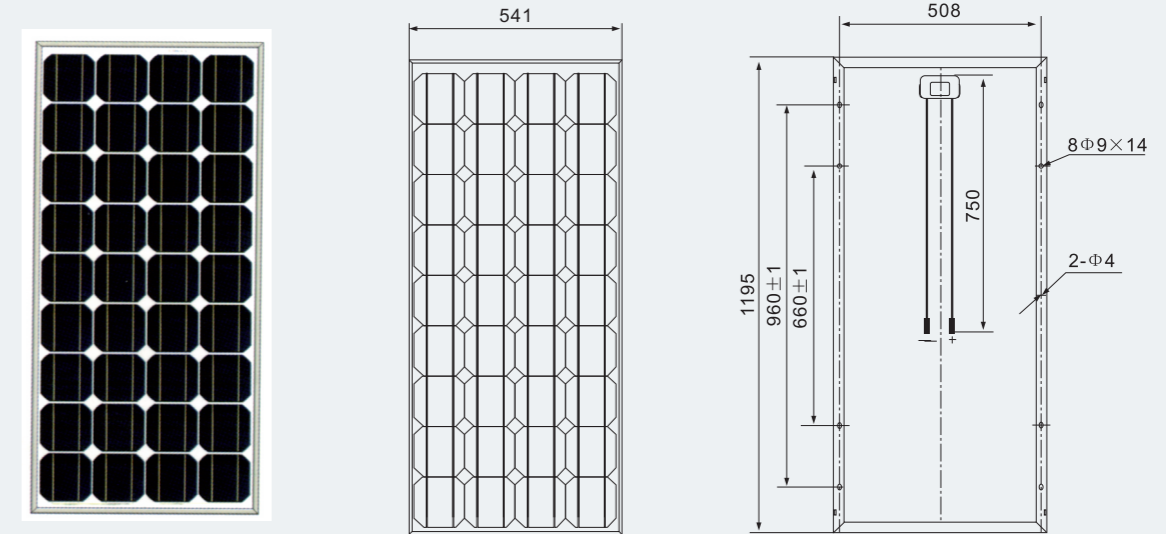
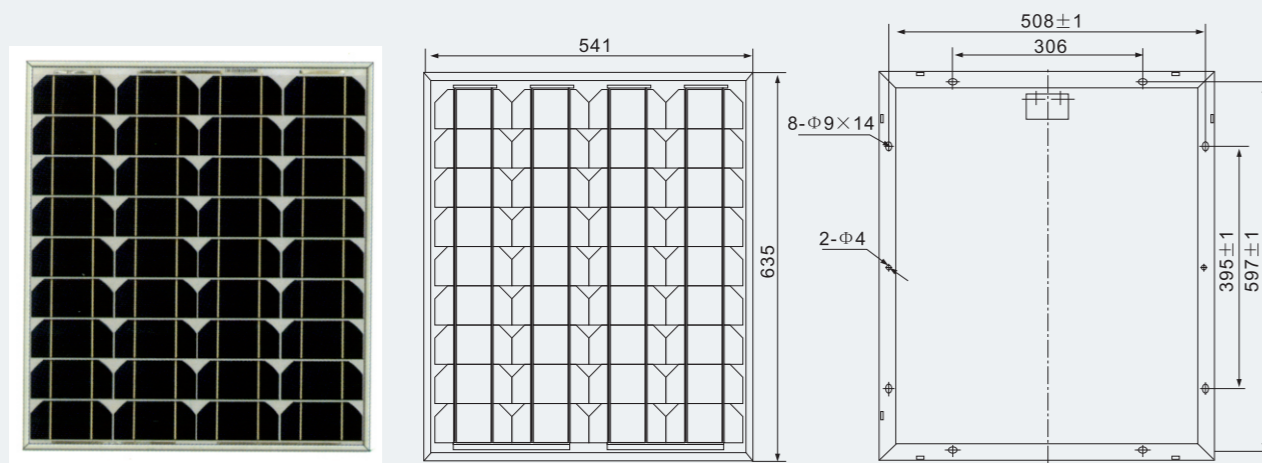
SMS020 (17)S656×296

Specifications	
Cell	Monocrystalline silicon solar cells 125mm×31.25mm (1×1/4)
No.of cells and connections	36 (2×18)
Dimension of module(mm)	656×296×25
Weight	2.2kg

Limits	
Operating temperature	-40 to +85℃
Maximum system voltage	715VDC

Characteristics			
Model	SMS018(17)S656×296	SMS020(17)S656×296	SMS022(17)S656×296
Open circuit voltage (Voc)	21	21.4	21.8
Optimum operating voltage(Vmp)	16.8	16.8	17.6
Short circuit current(Isc)	1.21	1.21	1.3
Optimum operating current(Imp)	1.07	1.19	1.25
Maximum power at STC(Pm)	18	20	22

STC:Irradiance1000w/m²,Module temperature 25℃,AM=1.5



SMS040(17)S635×541

Specifications	
Cell	Monocrystalline silicon solar cells 125mm×62.5mm(1/2)
No. of cells and connections	36(4×9)
Dimension of module(mm)	635×541×30
Weight	5.5kg

Limits	
Operating temperature	-40 to +85℃
Maximum system voltage	715VDC

Characteristics			
Model	SMS036(17)S635×541	SMS040(17)S635×541	SMS045(17)S635×541
Open circuit voltage (Voc)	21	21.6	22
Optimum operating voltage(Vmp)	17.1	17.4	17.6
Short circuit current(Isc)	2.4	2.5	2.7
Optimum operating current(Imp)	2.11	2.3	2.56
Maximum power at STC(Pm)	36	40	45

STC:Irradiance1000w/m²,Module temperature 25℃,AM=1.5

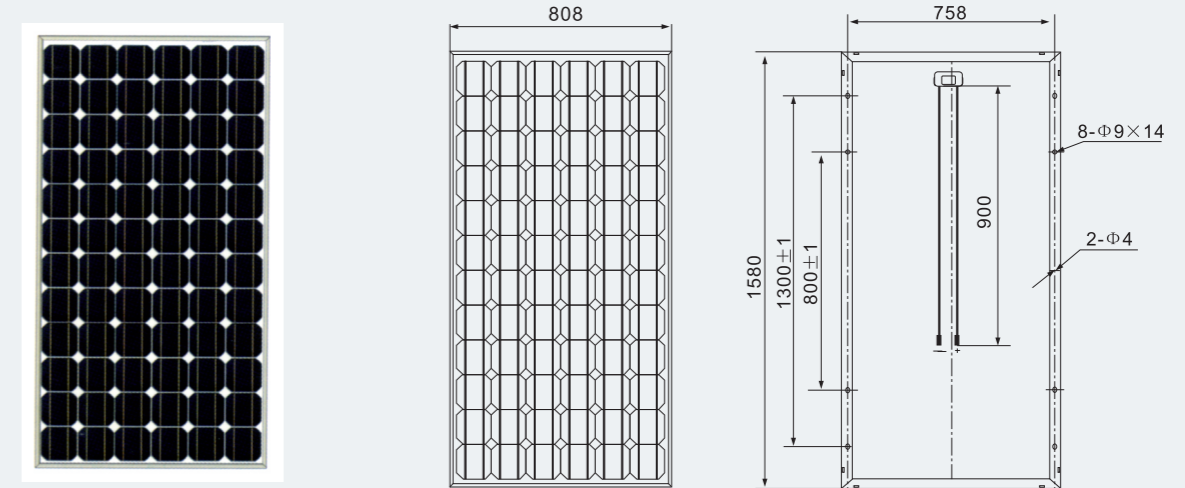
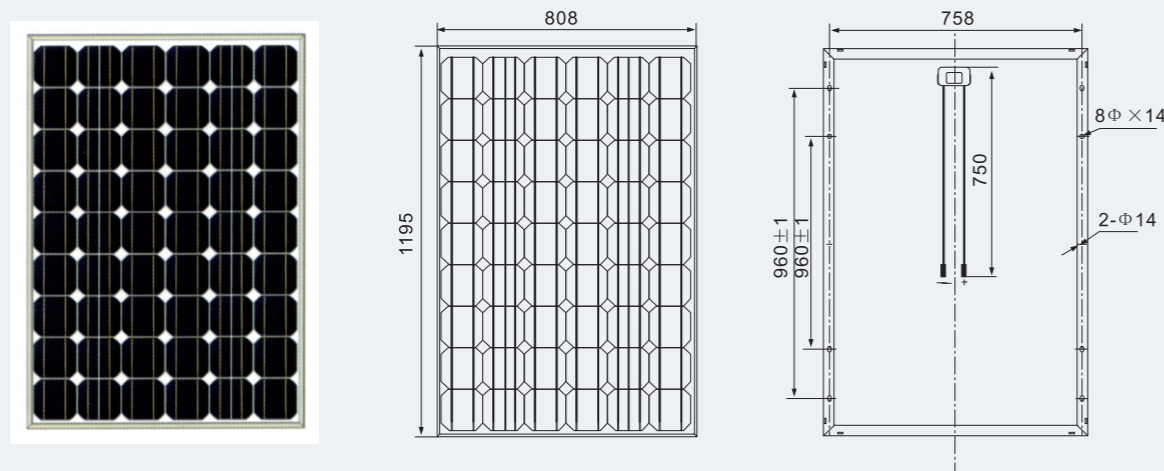
SMS080(17)S1195×541

Specifications	
Cell	Monocrystalline silicon solar cells 125mm×125mm
No. of cells and connections	36(4×9)
Dimension of module(mm)	1195×541×30
Weight	8kg

Limits	
Operating temperature	-40 to +85℃
Maximum system voltage	1000VDC

Characteristics				
Model	SMS075(17)S1195×541	SMS080(17)S1195×541	SMS085(17)S1195×541	SMS090(18)S1195×541
Open circuit voltage (Voc)	21.6	21.6	21.9	22.4
Optimum operating voltage(Vmp)	17.2	17.2	17.6	18
Short circuit current(Isc)	4.87	5	5.14	5.3
Optimum operating current(Imp)	4.37	4.66	4.83	5
Maximum power at STC(Pm)	75	80	85	90

STC:Irradiance1000w/m²,Module temperature 25℃,AM=1.5



SMS120(17)S1195 × 808

Specifications	
Cell	Monocrystalline silicon solar cells 125mm×125mm+125mm×62.5
No. of cells and connections	36(4×9)
Dimension of module(mm)	1195×808×35
Weight	13.5kg

Limits	
Operating temperature	-40 to +85°C
Maximum system voltage	1000VDC

Characteristics				
Model	SMS100(17)S1195×808	SMS110(17)S1195×808	SMS120(17)S1195×808	SMS130(18)S1195×808
Open circuit voltage (Voc)	21.7	21.8	21.9	22.3
Optimum operating voltage(Vmp)	16.4	17.2	17.65	18.6
Short circuit current(Isc)	7.3	7.4	7.6	7.7
Optimum operating current(Imp)	6.1	6.4	6.8	7
Maximum power at STC(Pm)	100	110	120	130

STC:Irradiance1000w/m²,Module temperature 25°C,AM=1.5

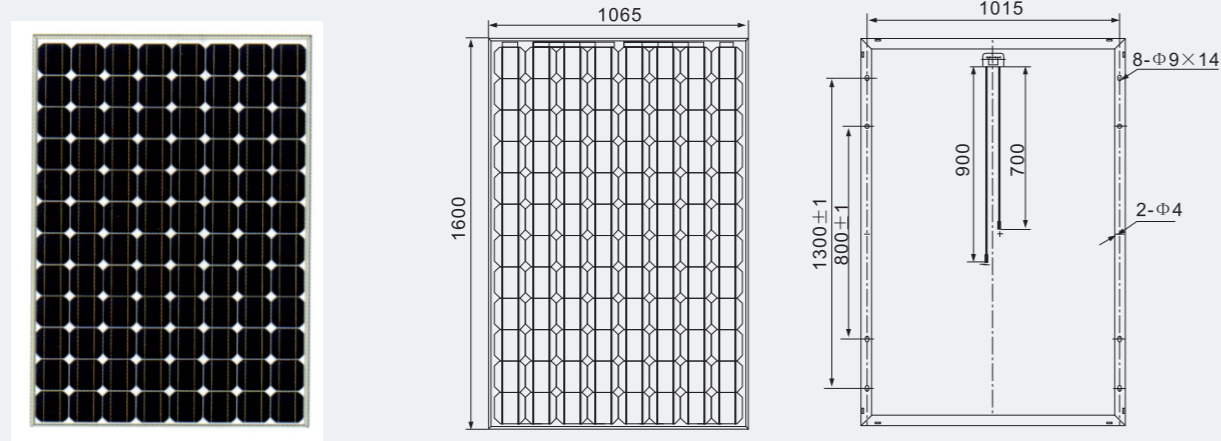
SMS160(34)S1580 × 808

Specifications	
Cell	Monocrystalline silicon solar cells 125mm×125mm
No. of cells and connections	72(6×12)
Dimension of module(mm)	1580×808×35
Weight	15.5kg

Limits	
Operating temperature	-40 to +85°C
Maximum system voltage	1000VDC

Characteristics								
Model	SMS140(34)S1580×808	SMS150(34)S1580×808	SMS155(34)S1580×808	SMS160(34)S1580×808	SMS165(34)S1580×808	SMS170(35)S1580×808	SMS175(35)S1580×808	SMS180(36)S1580×808
Open circuit voltage (Voc)	42	43.2	43.2	43.2	43.6	43.8	44.2	44.8
Optimum operating voltage(Vmp)	34	34.3	34.4	34.4	34.5	35.2	35.3	36
Short circuit current(Isc)	4.78	4.87	4.98	5	5.1	5.14	5.2	5.3
Optimum operating current(Imp)	4.12	4.37	4.51	4.66	4.783	4.83	4.96	5
Maximum power at STC(Pm)	140	150	155	160	165	170	175	180

STC:Irradiance1000w/m²,Module temperature 25°C,AM=1.5



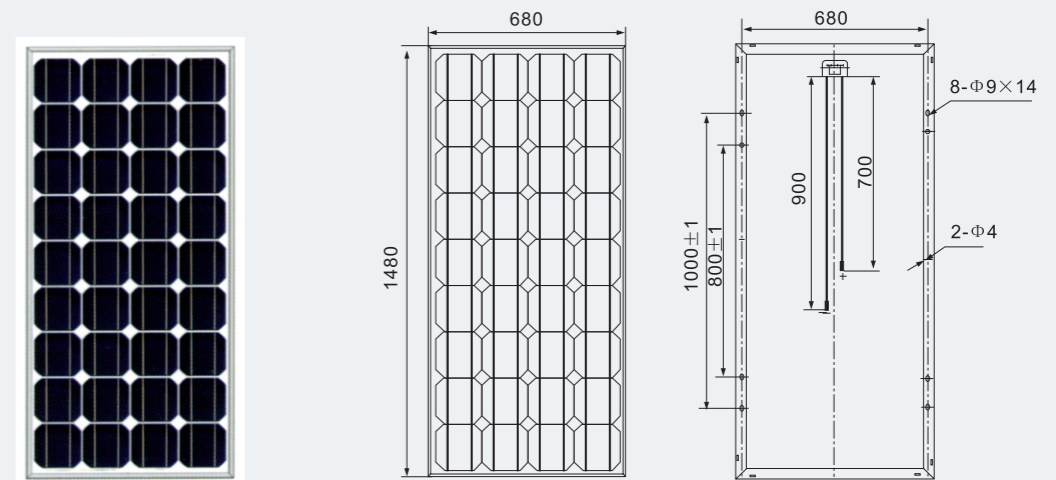
SMS200(46)S1600 × 1065

Specifications	
Cell	Monocrystalline silicon solar cells 125mm×125mm
No. of cells and connections	96(8×12)
Dimension of module(mm)	1600×1065×50
Weight	25kg

Limits	
Operating temperature	-40 to +85℃
Maximum system voltage	1000VDC

Characteristics				
Model	SMS200(47)S1600×1065	SMS210(47)S1600×1065	SMS220(48)S1600×1065	SMS230(50)S1600×1065
Open circuit voltage (Voc)	58.3	58.4	58.6	59
Optimum operating voltage(Vmp)	46.5	47	48	49.5
Short circuit current(Isc)	4.94	4.94	5	5.13
Optimum operating current(Imp)	4.3	4.47	4.59	4.65
Maximum power at STC(Pm)	200	210	220	230

STC:Irradiance1000w/m²,Module temperature 25℃,AM=1.5



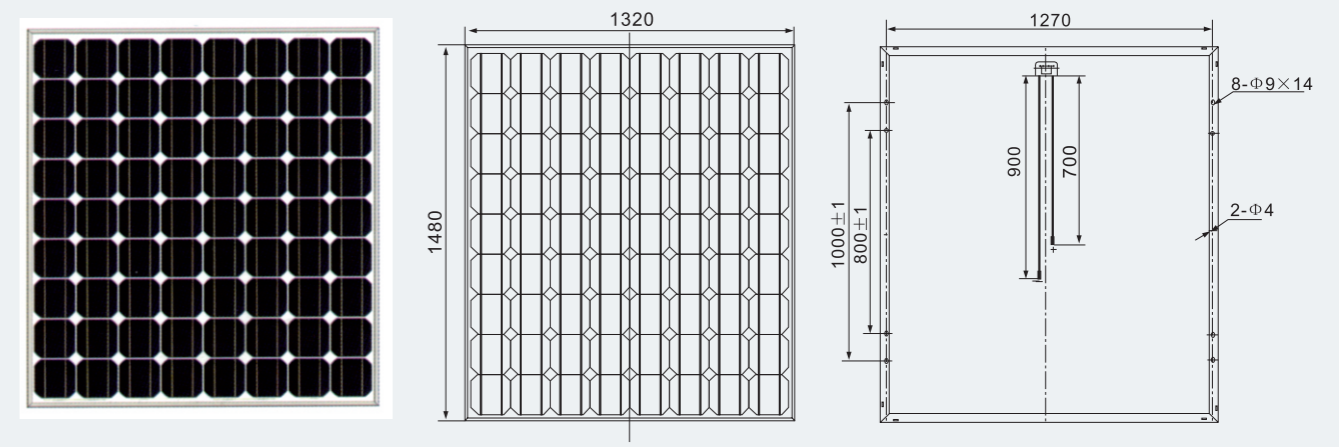
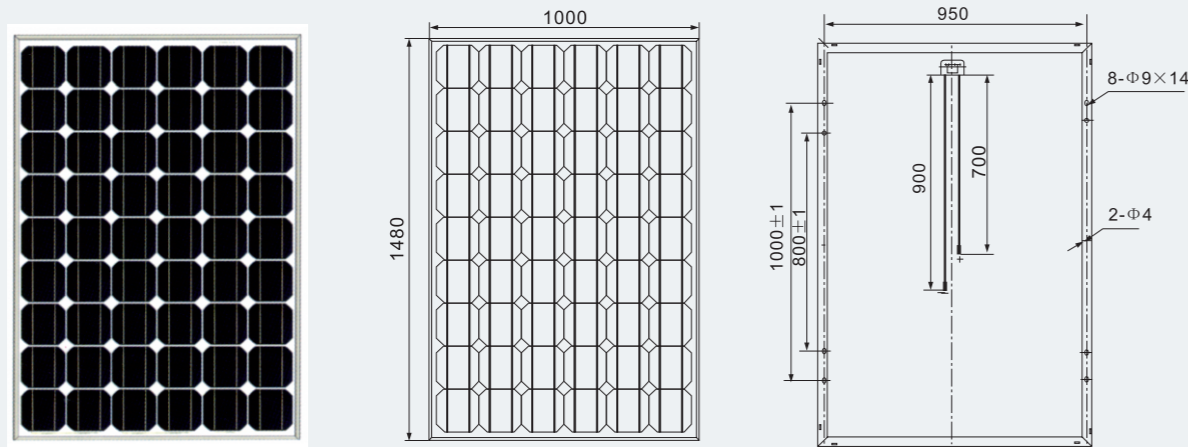
SMS120(17)S1480 × 680

Specifications	
Cell	Monocrystalline silicon solar cells 156mm×156mm
No. of cells and connections	36(4×9)
Dimension of module(mm)	1480×680×50
Weight	13.5kg

Limits	
Operating temperature	-40 to +85℃
Maximum system voltage	1000VDC

Characteristics			
Model	SMS120(17)S1480×680	SMS130(17)S1480×680	SMS140(18)S1480×680
Open circuit voltage (Voc)	21.8	22	22
Optimum operating voltage(Vmp)	17	17.8	18.3
Short circuit current(Isc)	7.9	7.96	8.189
Optimum operating current(Imp)	7.07	7.3	7.65
Maximum power at STC(Pm)	120	130	140

STC:Irradiance1000w/m²,Module temperature 25℃,AM=1.5



SMS180(24)S1480 × 1000

Specifications	
Cell	Monocrystalline silicon solar cells 156mm×156mm
No. of cells and connections	54(6×9)
Dimension of module(mm)	1480×1000×50
Weight	18kg

Limits	
Operating temperature	-40 to +85℃
Maximum system voltage	1000VDC

Characteristics				
Model	SMS180(26)S1480×1000	SMS190(26)S1480×1000	SMS200(27)S1480×1000	SMS210(27)S1480×1000
Open circuit voltage (Voc)	32.8	33	33	33.15
Optimum operating voltage(Vmp)	25.5	26.3	26.9	27.65
Short circuit current(Isc)	7.94	7.89	8	8.25
Optimum operating current(Imp)	7.06	7.23	7.44	7.6
Maximum power at STC(Pm)	180	190	200	210

STC:Irradiance1000w/m²,Module temperature 25℃,AM=1.5

SMS250(34)S1480 × 1320

Specifications	
Cell	Monocrystalline silicon solar cells 156mm×156mm
No. of cells and connections	72(8×9)
Dimension of module(mm)	1480×1320×50
Weight	25kg

Limits	
Operating temperature	-40 to +85℃
Maximum system voltage	1000VDC

Characteristics				
Model	SMS250(35)S1480×1320	SMS260(35)S1480×1320	SMS270(36)S1480×1320	SMS280(37)S1480×1320
Open circuit voltage (Voc)	43.78	43.9	44	44.2
Optimum operating voltage(Vmp)	34.7	35.6	36.3	36.6
Short circuit current(Isc)	7.95	7.96	8.12	8.25
Optimum operating current(Imp)	7.2	7.3	7.44	7.65
Maximum power at STC(Pm)	250	260	270	280

STC:Irradiance1000w/m²,Module temperature 25℃,AM=1.5