

SLK50P6L 175 Wp - 200 Wp

Poly-Crystalline Solar Modules

Real World Tested • Globally Trusted

siliken



- **Excellent Power Tolerance +3/0 %**
- **10 Year Limited Warranty Product**
- **25 Year Power Output Warranty**
- **Outstanding Low-Light Performance**
- **UL and TÜV Certified for Worldwide Applications**
- **High Performance Modules with Efficiency up to 14,7%**
- **Carbon Friendly**

Why Siliken?

- Our global success has established a solid foundation to service the long-term needs of the solar industry.
- With over 300 MW installed worldwide, we have built a respected brand by consistently providing a quality product with proven performance.
- Our firm commitment to R&D allows us to reduce costs and permanently improve efficiency. What's more, it enables us to improve our existing products and develop new technologies in the renewable energy sector.



Siliken Reliability

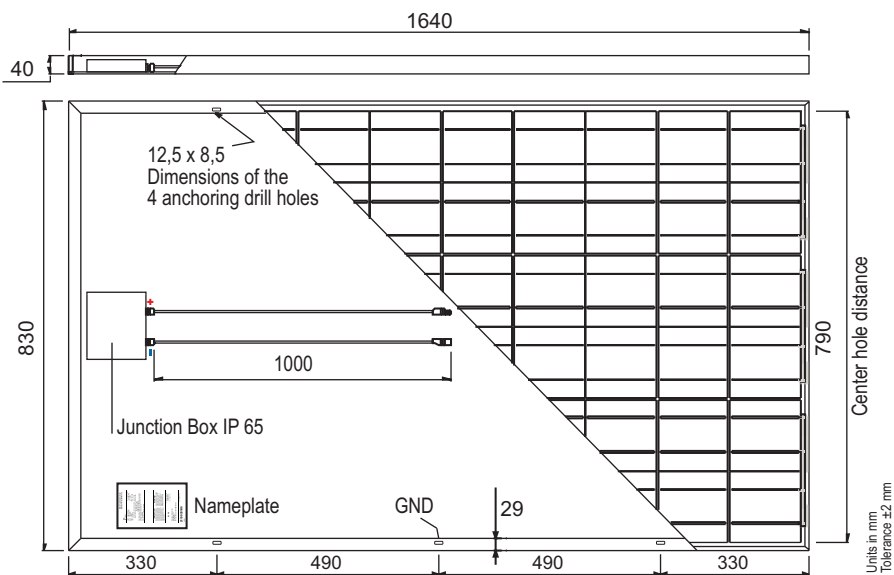
The Siliken modules are certified according to UL and TÜV standards. The high quality and reliability ensure the prompt return of investment for any PV installation, including residential, commercial or utility scale.

Each module goes through its testing phases, including strict power production verification and resistance tests in radiation simulators. With innovative products and solutions successfully implemented around the world, Siliken is a recognized global leader in solar power.



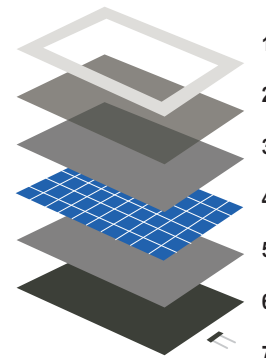
SLK50P6L 175 Wp - 200 Wp

Poly-Crystalline Solar Modules

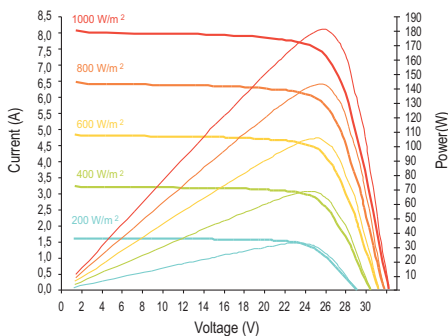


Constructive Characteristics

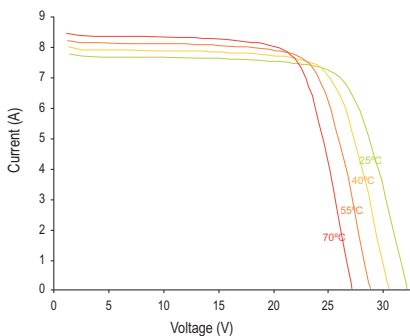
- 1 FRAME
- 2 GLASS PLATE
- 3 & 5 EVA
- 4 CELLS
- 6 BACKSIDE FOIL
- 7 JUNCTION BOX



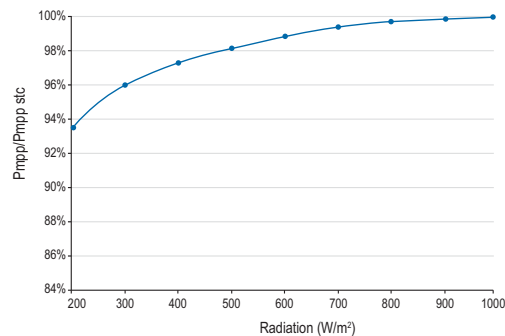
SLK50P6L - 190 Wp
I-V and Pmax characteristics with a variety of radiation levels at 25°C



SLK50P6L - 190 Wp
I-V characteristics with a variety of cell temperatures at 1.000 W/m²



Weak light performance at Pmp
— Siliken module's average



Mechanical Data

Dimensions (LxWxD)	1640 x 830 x 40 mm
Weight	16 kg
Output Cables	Symmetrical length cable 1 m Ø4 mm ² , double insulation coating, halogen free, UV resistance
Junction Box	IP-65 rated with bypass diodes
Frame	Anodized aluminum alloy type 6063 T6
Front Glass	3,2 mm low iron tempered glass with high transmissivity
Solar Cells	50 Poly-crystalline cells 156 x 156 mm

Electrical Data

	P _{mp} (Wp)	175	180	185	190	195	200
Maximum power at STC (+3/0 %)	P _{mp} (Wp)	175	180	185	190	195	200
Efficiency at STC	η (%)	12,9	13,2	13,6	14,0	14,3	14,7
Fill Factor	FF	0,720	0,727	0,736	0,743	0,749	0,754
Voltage at Maximum Power	V _{mp} (V)	24,0	24,1	24,1	24,4	24,5	24,7
Current at Maximum Power	I _{mp} (A)	7,30	7,48	7,68	7,79	7,97	8,12
Open Circuit Voltage	V _{oc} (V)	30,4	30,6	30,7	30,8	30,8	30,8
Short Circuit Current	I _{sc} (A)	8,00	8,10	8,20	8,32	8,47	8,61
Maximum Voltage UL / IEC	V _{max} (V) UL/IEC	600 / 1000					
Temperature Coefficient of Pmp	T _{kPmp} (%/°C)	-0,43					
Temperature Coefficient of Voc	T _{kVoc} (%/°C)	-0,356					
Temperature Coefficient of Isc	T _{kIsc} (%/°C)	+0,062					
Normal Operating Cell Temperature	NOCT (°C)	49±2					

Values at Standard Test Conditions STC: Irradiance 1.000 W/m², Air Mass AM 1,5 and cell temperature 25°C

WARNING: Read the instruction manual carefully before using this product
NOTE: Siliken Modules, S.L.U. reserves the right to modify this product without prior notice

Certifications

UL Listed	UL 1703
Fire Rating	Class C
TÜV Certified	IEC 61215 / IEC 61730
ISO 9001:2000	N° ES08/5170
ISO 14001	N° ES09/6520
EC Declaration of conformity (CE Mark)	

Tested Operating Conditions

Temperature	-40 °C to +85 °C
Static Load	2400 Pa
Max Load	5400 Pa
Impact Resistance	Hailstone impact Ø25 mm at 23 m/s

Warranty

25 year limited warranty of 80% output power
10 year limited warranty of 90% output power
10 year limited warranty of materials and workmanship

siliken manufacturing

C/ Massamagrell, 40 • Pol. Ind L'Horteta.
46138 Rafelbunyol - Valencia - Spain