

GTEC-G6S68 series

Electrical Characteristics

Identical Specification to Commodity ASEC-215G6S68~ ASEC-235G6S68

Model	GTEC-215G6S68	GTEC-220G6S68	GTEC-225G6S68	GTEC-230G6S68	GTEC-235G6S68
Maximum Power (Pmax)	215wp	220wp	225wp	230wp	235wp
Maximum Power Voltage (Vpm) [V]	24.24	24.36	24.51	24.65	24.76
Maximum Power Current (Ipm) [A]	8.87	9.03	9.18	9.33	9.49
Open Circuit Voltage (Voc) [V]	30.26	30.34	30.50	30.65	30.80
Short Circuit Current (Isc) [A]	9.18	9.32	9.47	9.62	9.77
Module efficiency [%]	16.48%	16.86%	17.25%	17.63%	18.01%
Temperature coefficient of P max [%/K]			-0.4213		
Temperature coefficient of Voc [%/K]			-0.2972		
Temperature coefficient of Isc [%/K]			0.0499		
Series Fuse [A]			12		
Maximum System Voltage [V dc]			1000		
NOCT			43.3°C		

※ Measured at Standard Test Condition (STC): Irradiance of 1000W/m², AM 1.5, and Cell Temperature 25°C

※ Normal Operating Cell Temperature (NOCT): Irradiance of 800W/m², Temperature 20° C, Wind Speed 1m/s

Mechanical Characteristics	
Cell Type	6 inch (3BB / 4BB)
Cell Configuration	48 in series
Cable Length (mm)	1000
Dimension (mm)	1319 x 989 x 40
Weight (kg)	15.7
Backsheet Color	White / Black
Frame Color	Silver / Black
Connectors	MC4 compatible

※ Color of backsheet and frame can be customized.

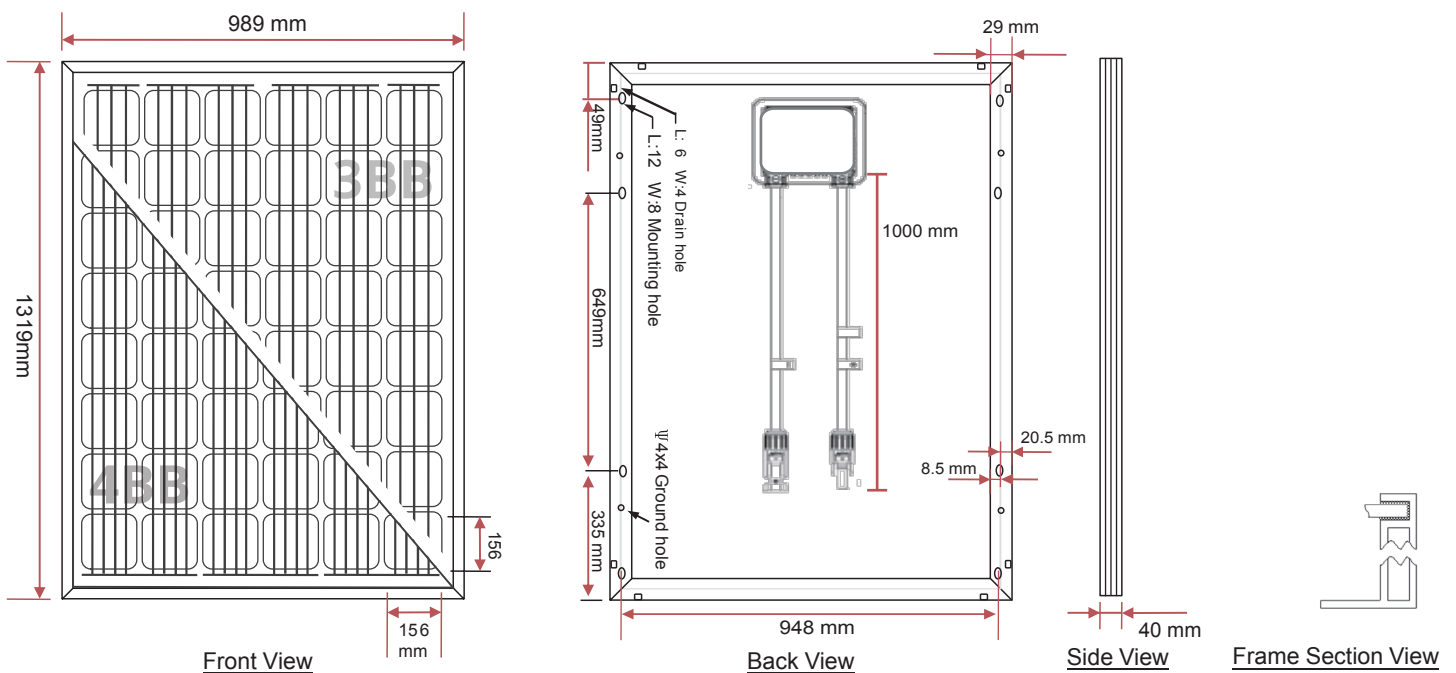
※ Dimension tolerance +/- 1.5 mm.

Qualification Test Conditions	
Temperature Cycling Range	-40°C to +85°C
Static Load	5400pa
Hailstone Impact	25mm hail at 23m/s

Warranties	
Performance	12 years 90% Power Guarantee
	25 years 80% Power Guarantee

Certificates

Technical drawing



Note: Design and specifications are subject to change without notice.
This document is the exclusive property of GINTUNG and shall not be reproduced or copied or transformed to any other format without prior permission of GINTUNG.